

## Star grips, plastic

with protruding steel bush



The thermoset star grip is distinguished by its closed grip contour. The contact surface of the protruding steel bush is vertical to the thread axis and ensures a firm screw connection.

**Material:**

Thermoset PF 31.  
Steel grade 5.8 or stainless steel 1.4305.

**Version:**

Thermoset black, high-gloss polished.  
Metal parts trivalent blue passivated steel or bright stainless steel.

**Sample order:**

K1514.43206X10 (include length L)

**Advantages:**

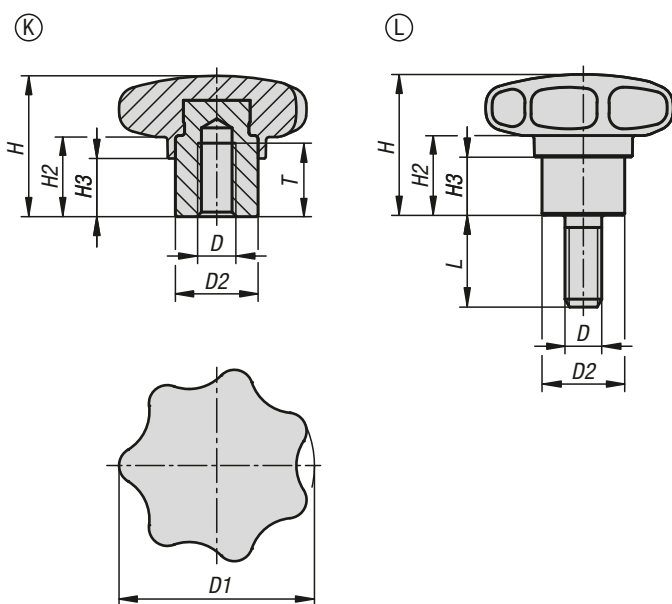
Wear resistant contact surface  
Closed grip contour

**On request:**

Form H: bush with blind hole

**Drawing reference:**

Form K: tapped bush  
Form L: external thread



### KIPP Star grips plastic with protruding steel bush, internal thread, Form K

Order No. steel	Order No. stainless steel	Form	D	D1	D2	H	H2	H3	T
K1514.23206	K1514.33206	K	M6	32	13,5	23	13	9,5	12
K1514.24006	K1514.34006	K	M6	40	13,5	25	13	10	12
K1514.24008	K1514.34008	K	M8	40	13,5	25	13	10	12
K1514.25008	K1514.35008	K	M8	50	19	32	17	12	17
K1514.25010	K1514.35010	K	M10	50	19	32	17	12	17
K1514.26310	K1514.36310	K	M10	63	19	40	20	15	17
K1514.26312	K1514.36312	K	M12	63	19	40	20	15	17

### KIPP Star grips plastic with protruding steel bush, external thread, Form L

Order No. steel	Order No. stainless steel	Form	D	D1	D2	H	H2	H3	L
K1514.43206X	K1514.53206X	L	M6	32	13,5	23	13	9,5	10/15/20/25/30
K1514.44008X	K1514.54008X	L	M8	40	13,5	25	13	10	15/20/25/30/40/50
K1514.45010X	K1514.55010X	L	M10	50	19	32	17	12	20/25/30/40/50/60
K1514.46312X	K1514.56312X	L	M12	63	19	40	20	15	20/25/30/40/50/60