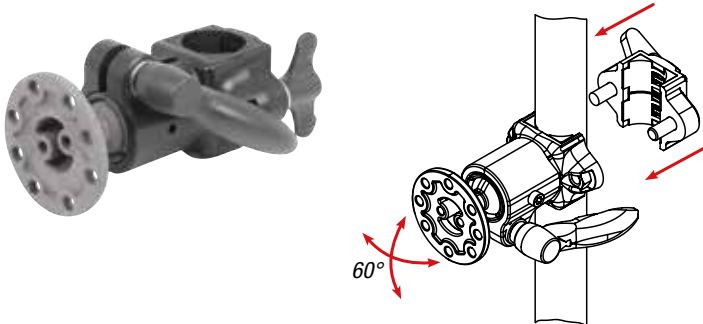
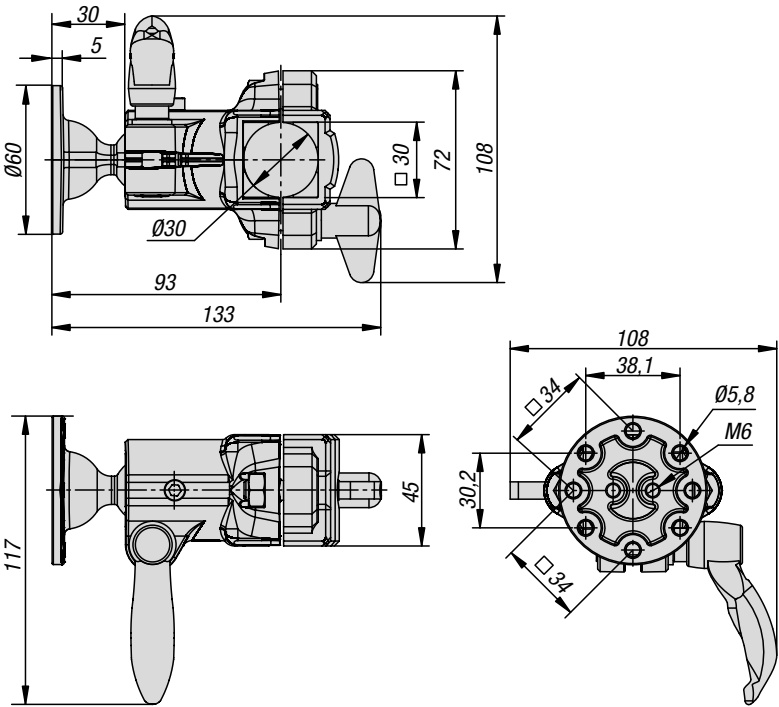


Monitor brackets



K1510.3000



Material:
High-strength material mix of thermoplastic/aluminium.



Version:
Black/bright.

Sample order:
K1510.3001

Note:
We offer three different basic brackets for industrial monitors and touch panels:

Compact:
space-saving, with a swivel range of 60°. For loads up to 10 kg (static). With universal mounting plate. The basic bracket is suitable for mounting on tubes size Ø30 mm or 30x30 mm. By using the optional reducer sleeve K0491 they can also be mounted on other sized tubes (Ø20 and Ø25 mm or 20x20 and 25x25 mm).

With rotary flange:
vibration-resistant, lockable monitor bracket with an angle adjustment of 90° in 15° increments. For monitors / control units up to 25 kg (static). With universal mounting plate. The basic bracket is suitable for mounting on tubes size Ø30 mm. By using the optional reducer sleeve K0492 they can also be mounted on other sized tubes (Ø20 and Ø25 mm or 20x20 mm).

With ball joint:
enables a swivel range of 60°. For loads up to 10 kg (static). With universal mounting plate. The basic bracket is suitable for mounting on tubes size Ø30 mm. By using the optional reducer sleeve K0492 they can also be mounted on other sized tubes (Ø20 and Ø25 mm or 20x20 mm).

Optional wall bracket, profile bracket, single/double support arms, tablet holder, keyboard tray or a VESA 50/75 or 75/100 connecting plate are available to offer various connections.

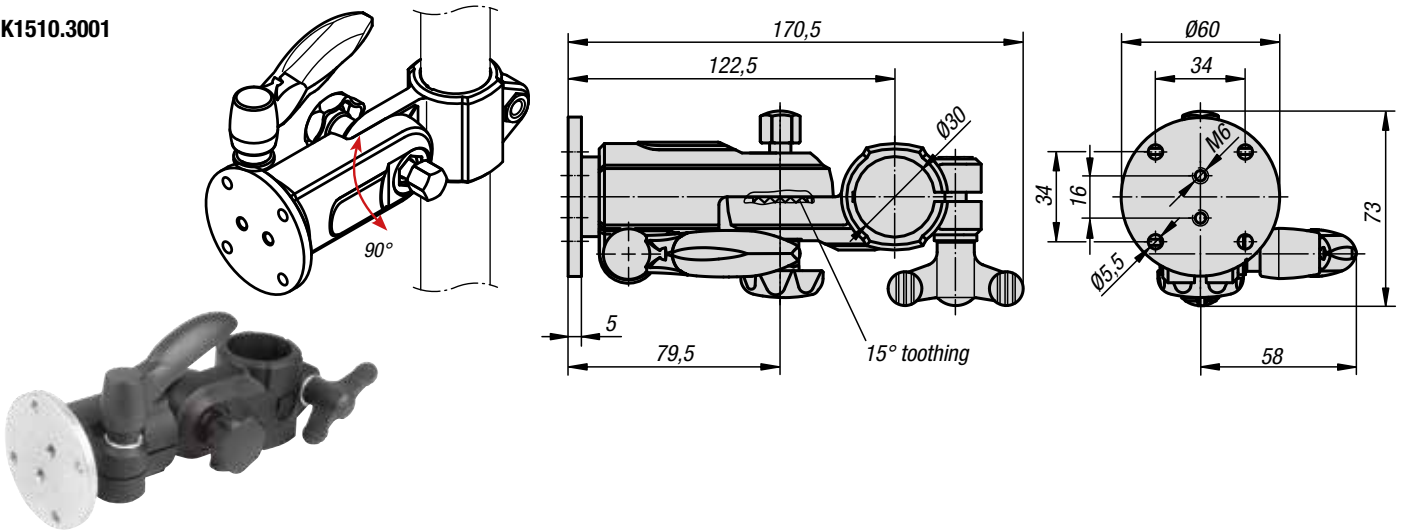
KIPP Monitor brackets

Order No.	Image	Version 1
K1510.3000		compact
K1510.3001		with rotary flange
K1510.3002		with ball joint
K1510.3003		wall bracket
K1510.3004		profile bracket
K1510.5075		VESA adapter plate
K1510.75100		VESA adapter plate
K1510.3010		support arm single
K1510.3012		support arm double
K1510.3014		support arm double
K1510.3016		support arm telescopic
K1510.3018		support arm telescopic
K1510.3020		keyboard tray
K1510.125200		tablet holder

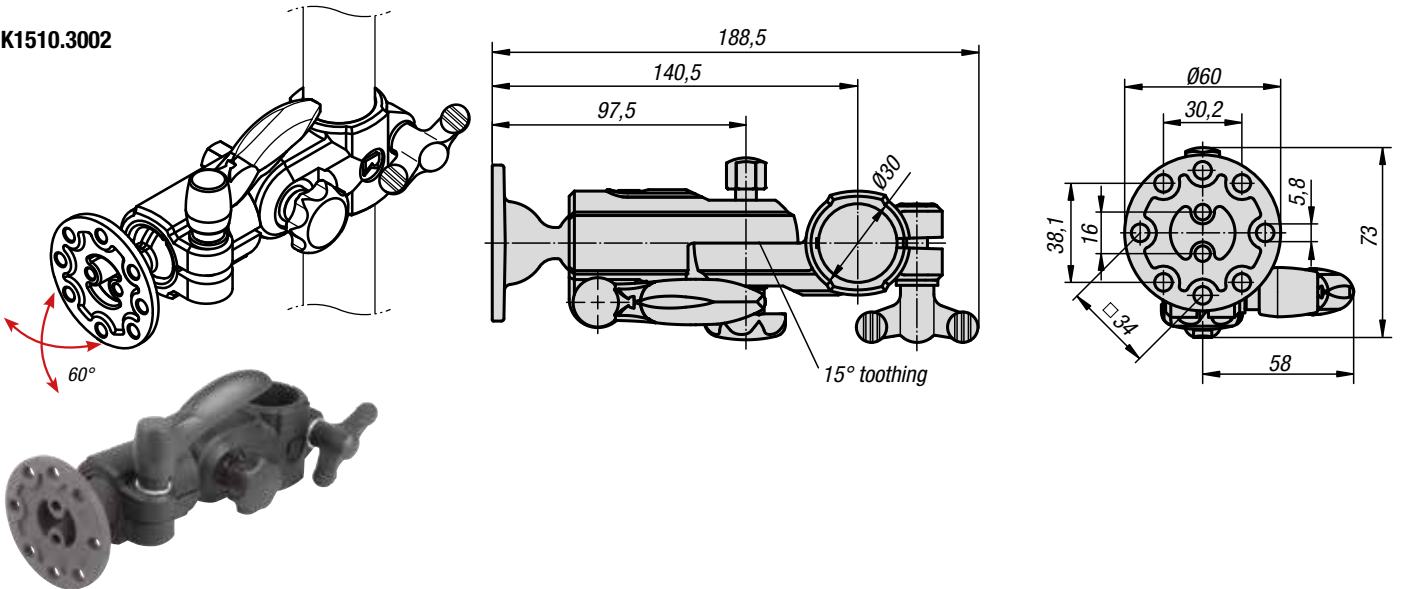
Monitor brackets



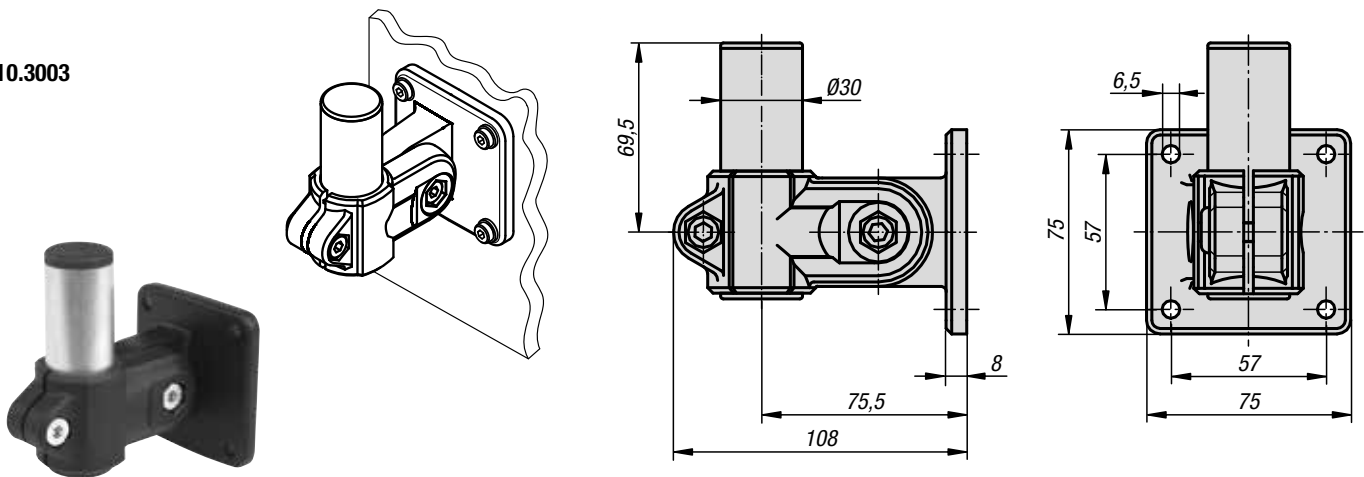
K1510.3001



K1510.3002



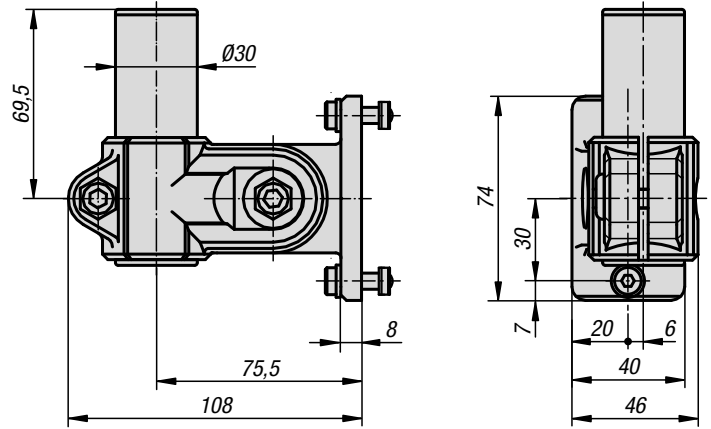
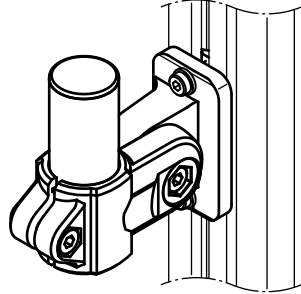
K1510.3003



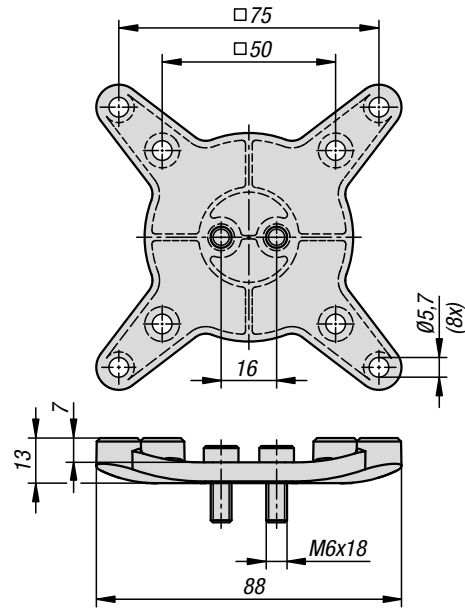
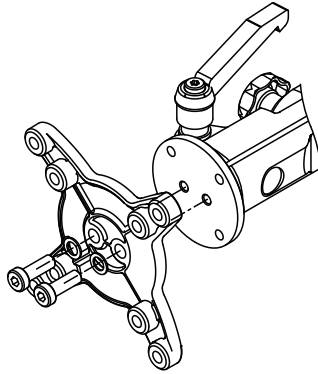
Monitor brackets



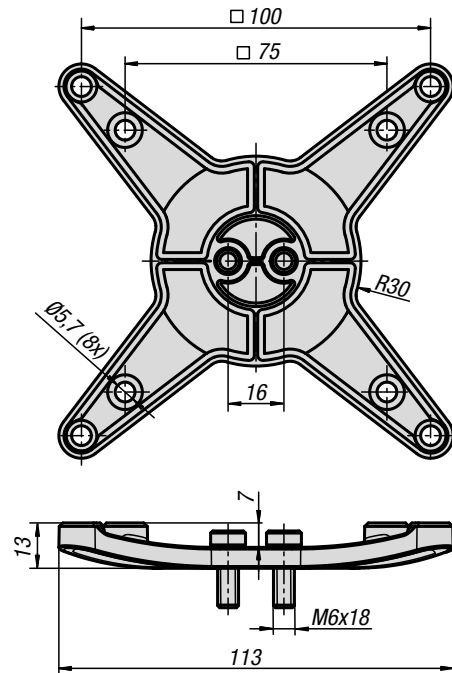
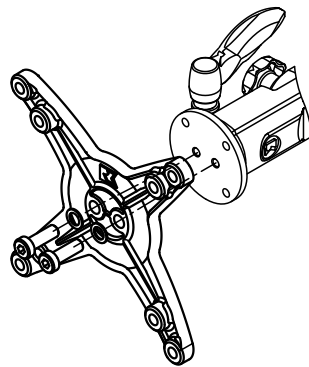
K1510.3004



K1510.5075



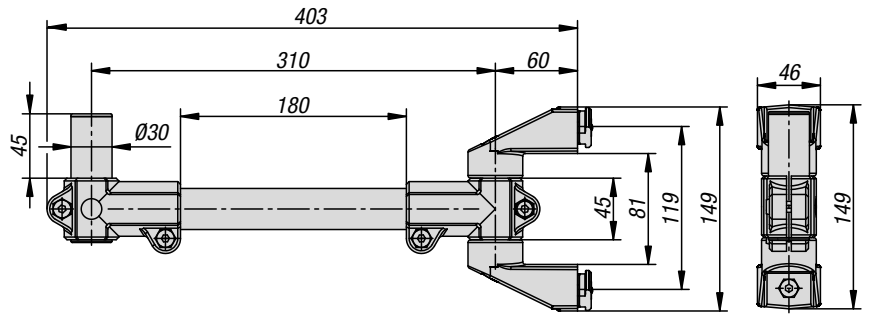
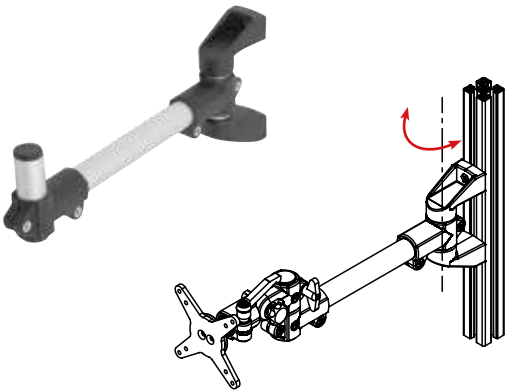
K1510.75100



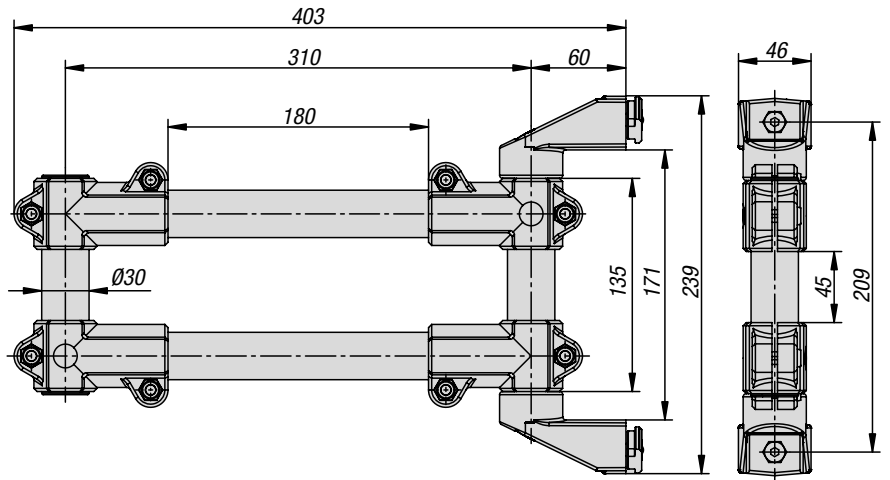
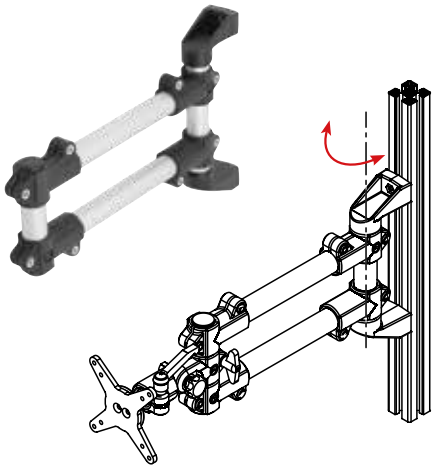
Monitor brackets



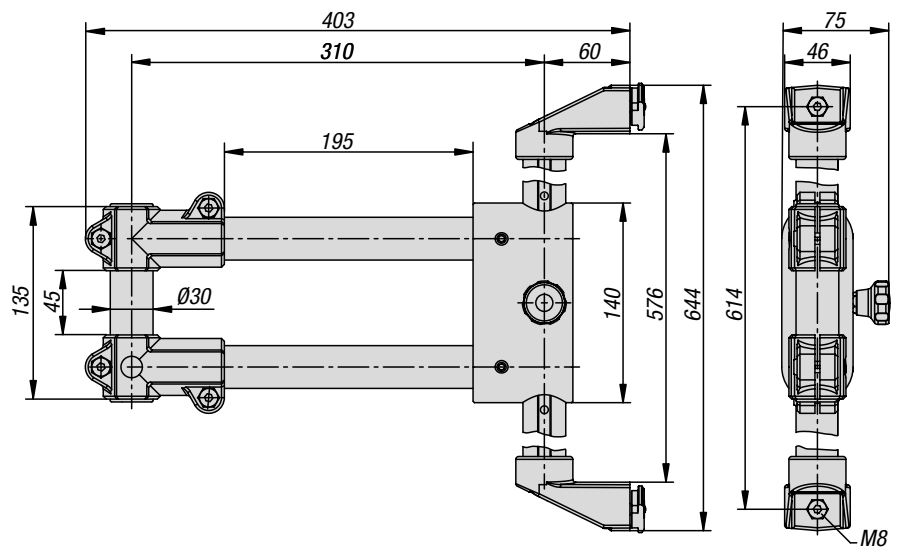
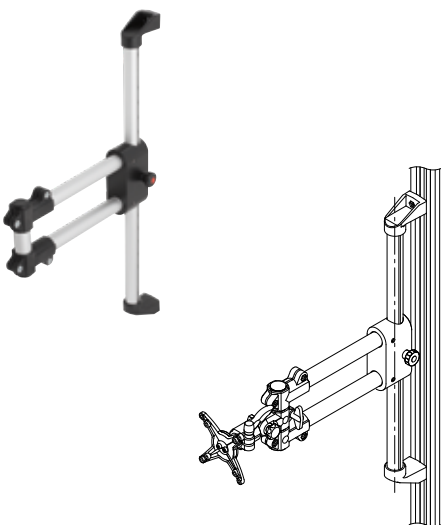
K1510.3010



K1510.3012



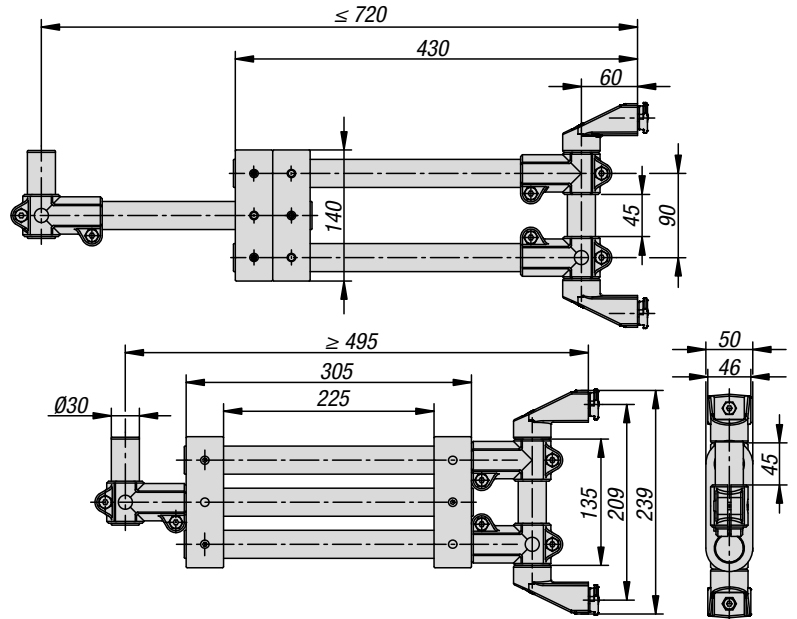
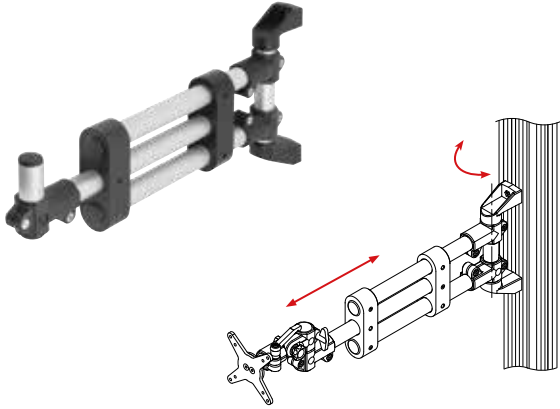
K1510.3014



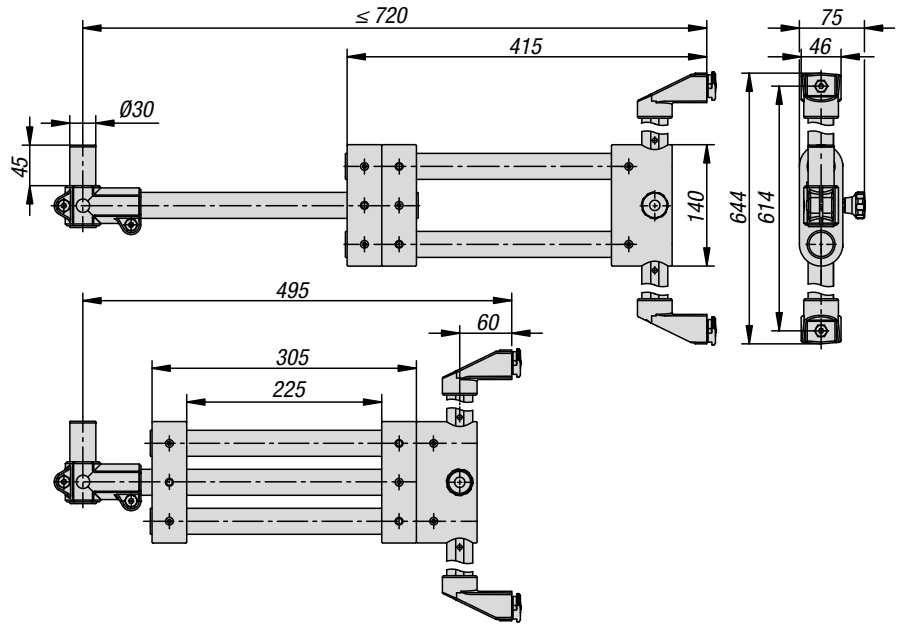
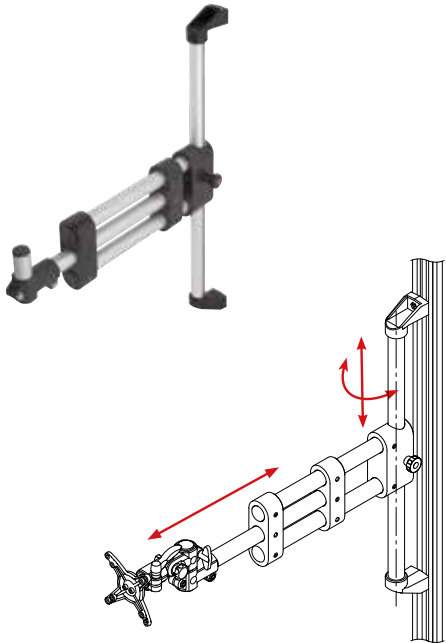
Monitor brackets



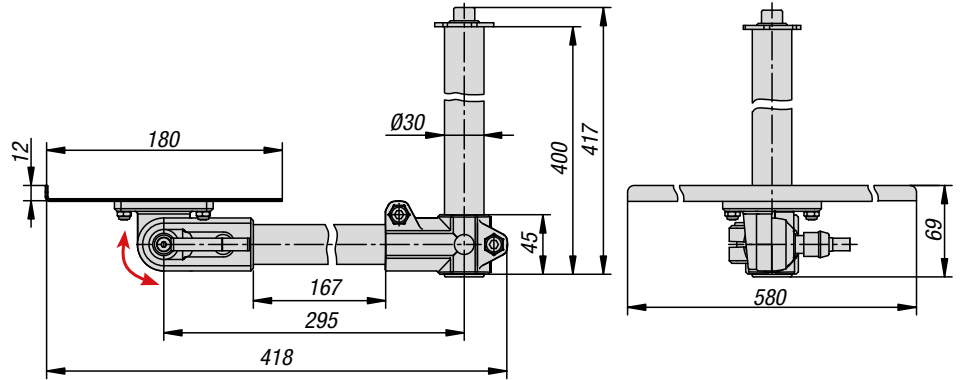
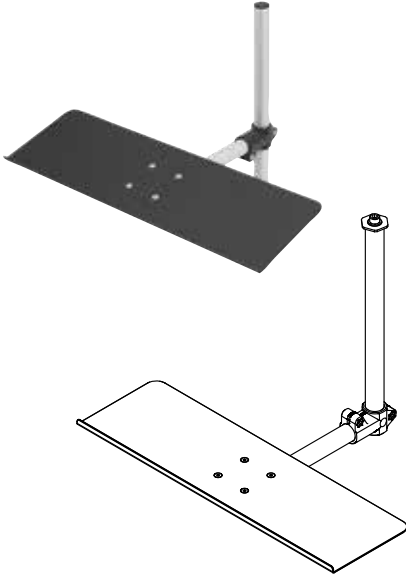
K1510.3016



K1510.3018



K1510.3020



K1510.125200

