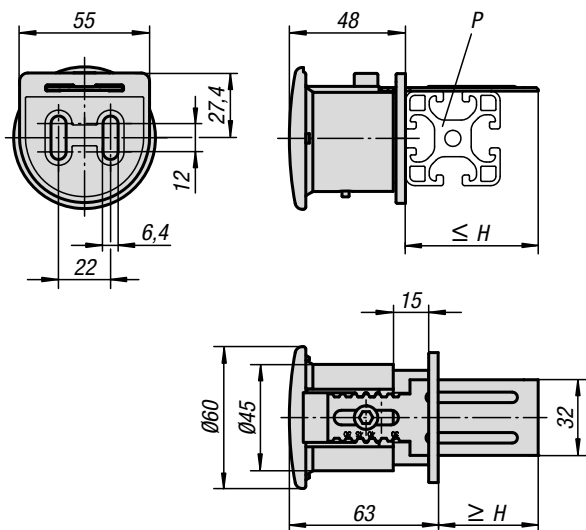


Emergency openers



Material:

Body plastic PA 6, fibreglass reinforced.
 Push button plastic PA 6, fibreglass reinforced.
 Release catch steel.

Version:

Body black.
 Push button red.
 Release catch electro zinc-plated.

Sample order:

K1497.93050

Note:

Rear-side emergency release for slam latches.
 Installation with two socket head screws (preferably DIN 912 M6x12), no machining required. Suitable for all slam latches.



KIPP Emergency openers

Order No.	Slot width	H min.	H max.	P
K1497.93050	8/10	30	50	30-50
K1497.96080	8/10	60	80	60-80