

## Slam latches



**Material:**  
Die cast aluminium.  
End caps plastic.

**Version:**  
Black powder-coated.  
End caps black.

**Sample order:**  
K1496.100561

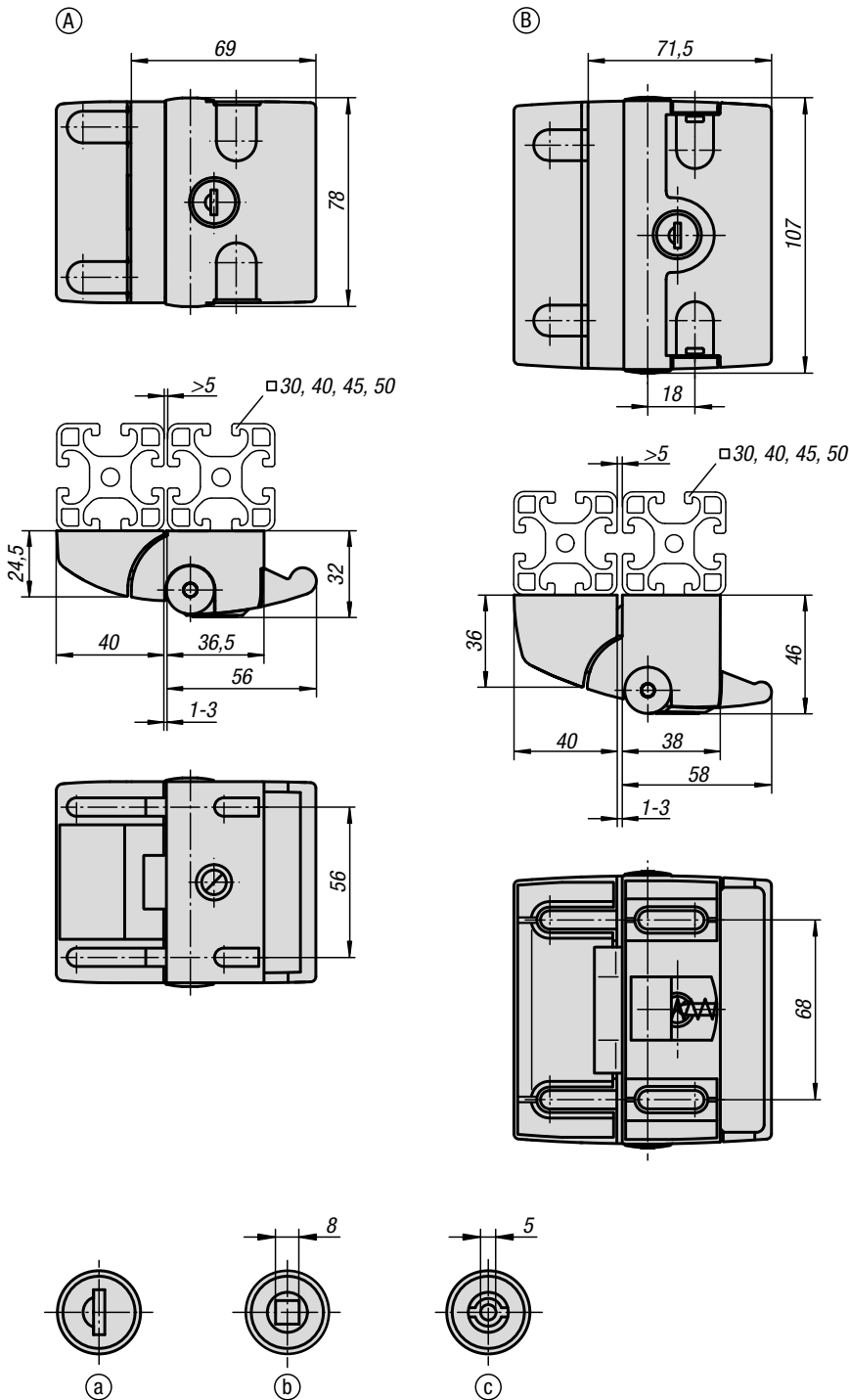
**Note:**  
For the simple and safe locking of doors and hatches. Installed from the front without mechanical processing using M6 cylinder-head or cheese-head screws. Secured to prevent removal when locked.

The key-operated version is supplied with 2 keys. The key can be removed in both positions (open and closed). The locks are keyed alike, i.e. they can all be opened using the same key (euro key 5333).

The double-lug version is supplied with a double lug key.

**Drawing reference:**

- Actuation:  
a) single-key system  
b) square 8 mm  
c) double lug 5 mm



### KIPP Slam latches

Order No.	Form	Slot width	Actuation
K1496.100561	A	8/10	not lockable
K1496.170561	A	8/10	key
K1496.118561	A	8/10	square 8 mm
K1496.145561	A	8/10	double lug 5 mm
K1496.200681	B	8/10	not lockable
K1496.270681	B	8/10	key