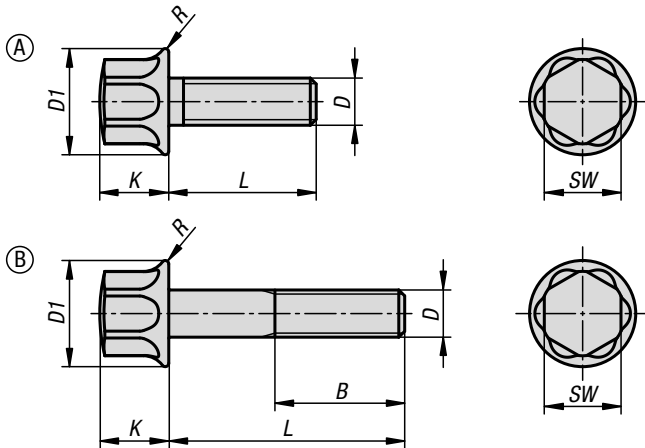


# Stainless steel hexagon head screws with collar

for Hygienic USIT® seal and shim washers



A cavity-free seal can only be assured in combination with the Hygienic USIT® seal and shim washer. The polished screws have a surface finish of  $R_a < 0.8 \mu\text{m}$ . Internal transition areas with a minimum radius of 3 mm are also provided, preventing dirt particles from adhering to the components and ensuring easy cleaning.

Hexagon head bolts with collar for Hygienic USIT® seal and shim washers are ideal for fastening in sterile areas and also conform to EHEDG regulations, something that is confirmed with the relevant certificate.

**Material:**

Stainless steel 1.4404.

**Version:**

Polished.

**Sample order:**

K1492.05X12 (include length L)

**Note:**

The EHEDG certificate is only valid when a specifically matched Hygienic USIT® seal and shim washer K1491 is used.

**On request:**

Special versions.

**Accessories:**

Hygienic USIT® seal and shim washer K1491. Hexagon cap nut with collar K1493. Sockets with plastic inserts K1361. Ring/open-end spanner with protective caps K1362.

# Stainless steel hexagon head screws with collar

for Hygienic USIT® seal and shim washers



## KIPP Stainless steel hexagon head screws with collar for Hygienic USIT® seal and shim washers

Order No.	Form	D	D1	K	L	R	SW
K1492.04X	A	M4	10,8	6,9	8/10/12/16/20	0,45	7
K1492.05X	A	M5	11,8	8,5	10/12/16/20	0,5	8
K1492.06X	A	M6	14	9,2	12/16/20/25	0,55	10
K1492.08X	A	M8	18	11,7	16/20/25/30/35	0,6	13
K1492.10X	A	M10	22	14	20/25/30/35/40	0,75	16
K1492.12X	A	M12	26,6	17	25/30/35/40/45	0,9	18
K1492.16X	A	M16	35	21,8	30/35/40/45/50/60	1,2	24

Order No.	Form	D	D1	B	K	L	R	SW
K1492.04X	B	M4	10,8	14	6,9	25/30/35/40	0,45	7
K1492.05X	B	M5	11,8	16	8,5	25/30/35/40/45/50	0,5	8
K1492.06X	B	M6	14	18	9,2	30/35/40/45/50/60	0,55	10
K1492.08X	B	M8	18	22	11,7	40/45/50/60/70/80	0,6	13
K1492.10X	B	M10	22	26	14	45/50/60/70/80	0,75	16
K1492.12X	B	M12	26,6	30	17	50/60/70/80	0,9	18
K1492.16X	B	M16	35	38	21,8	70/80	1,2	24