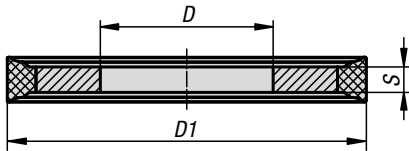
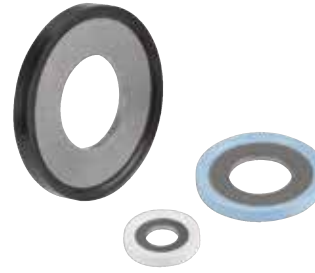


Hygienic USIT® seal and shim washers



With its highly reliable sealing and design that is compliant with hygiene requirements, the Hygienic USIT® seal and shim washer is setting new standards for cleanliness in the process industry. Many manufacturers of machinery and systems for the food and pharmaceutical industries often use standard shim washers or O-rings for screw connections in or on the product chamber. These are not EHEDG-compliant, however, as contamination and biofilms in the form of bacteria colonies and corrosion can form under the screw head, preventing the design from achieving maximum hygiene standards. The metallic shim washer with a fixed sealing ring made from 70 EPDM 291 (black) or 70 EPDM 253815 (white) provides a secure, cavity-free seal. The Hygienic USIT® seal and shim washer, made from the fluorinated premium compound Fluoroprene® XP 45, is suitable for applications involving particularly aggressive CIP/SIP cleaning temperatures, high steam sterilisation temperatures and process media containing grease. This material has an even larger operating temperature range and is resistant to polar and non-polar media as well as flavouring substances. Approvals such as FDA, EU1935/2004 and USP Class VI (121°C), plus EHEDG certification, confirm that the Hygienic USIT® washer represents the ideal choice for hygienically demanding applications in the food, beverage and pharmaceutical industries.

Material:

Washer:

Stainless steel 1.4404.

Sealing ring:

70 EPDM 291 (black)

70 EPDM 253815 (white)

75 Fluoroprene® XP 45 (blue)

Sample order:

K1491.051

Note:

The EHEDG certificate is only valid when a specifically matched hexagon head bolt K1492 or cap nut K1493 is used.

Attention:

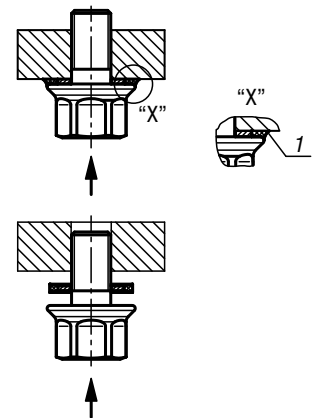
The function of the Hygienic USIT® screw connection system has been tested in combination with stainless steel materials and standard cleaning materials. The user must check that it is suitable for the application in question.

Accessories:

The Hygienic USIT® seal and shim washers can be used with all other products of the Hygienic USIT® range.

Drawing reference:

1) Cavity free sealing



KIPP Hygienic USIT® seal and shim washers

Order No. 70 EPDM 291 black	Order No. 70 EPDM 253815 white	Order No. fluoroprene XP 45 blue	D	D1	S	Suitable for hexagon screws	Suitable cap nuts
K1491.041	K1491.042	K1491.044	4,1	9,7	1	M4	M4
K1491.051	K1491.052	K1491.054	5,1	10,7	1	M5	M5
K1491.061	K1491.062	K1491.064	6,1	13,1	1	M6	M6
K1491.081	K1491.082	K1491.084	8,1	16,9	1	M8	M8
K1491.101	K1491.102	K1491.104	10,1	21,2	1,5	M10	M10
K1491.121	K1491.122	K1491.124	12,1	25,5	1,5	M12	M12
K1491.161	K1491.162	K1491.164	16,1	33,9	1,5	M16	M16