

UNILOCK clamping pin with through hole, system size 80 mm

Item description/product images



Description

Material:

Steel.

Version:

Hardened and black oxidised.

Contact faces ground.

Swivel fastening screw M16x65, tempered and black oxidised.

Note:

The UNILOCK clamping pin is suitable for clamping and positioning workpieces and fixtures. Clamping pins are screwed onto the exchange element and adapted to the various basic modules.

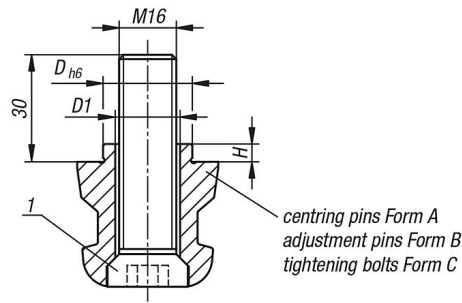
Drawing reference:




1) Swivel fastening screw M16x65.

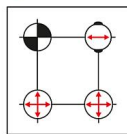
Grade 10.9.

UNILOCK clamping pin with through hole, system size 80 mm

Drawings



-  Centring pins = Form A fixes in x and y axis (reference point)
-  Adjustment pins = Form B fixes the free axis (bayonet pin)
-  Tightening bolts = Form C Pins with undersize (no centring function, clamping only)



Overview of items

UNILOCK clamping pin with through hole

Order No.	Form	D	D1	H	Tightening torque max. Nm
K1471.140250516	A	25	16,5	5	120
K1471.240250516	B	25	16,5	5	120
K1471.340250516	C	25	16,5	5	120