

## Locating bushes with collar, stainless steel

for ball lock pins



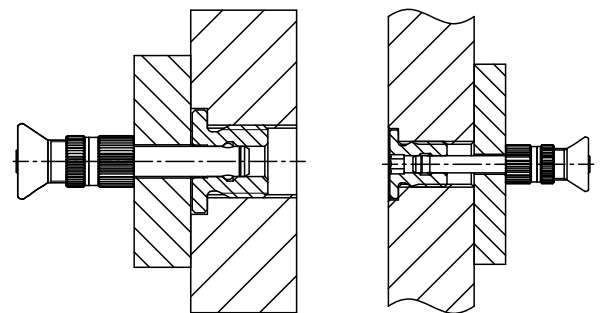
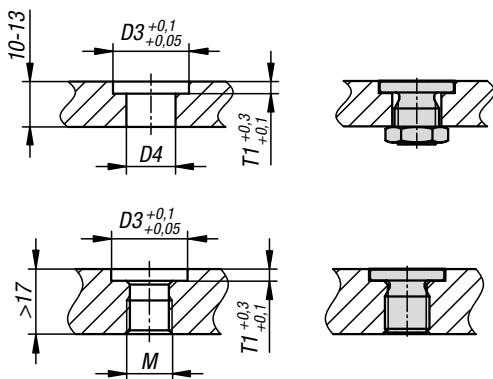
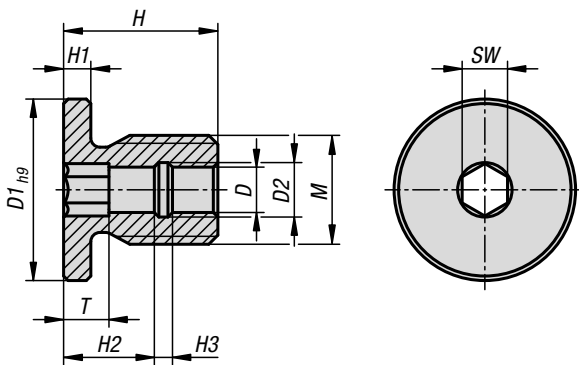
**Material:**  
Stainless steel 1.4305.

**Version:**  
Bright.

**Sample order:**  
K1462.10512

**Note:**  
Locating bushes for ball lock pins are ideal for easy and quick positioning of ball lock pins and locking pins. The collar serves as a stop at one end. With hex socket to help screw in.

- Advantages:**
- The collar guarantees a defined screw-in depth.
  - Easy and reliable screwing in.
  - Can be screwed into various materials.
  - Can be used from both sides.



### KIPP Locating bushes with collar, stainless steel, for ball lock pins

Order No.	D	D1	D2	D3	D4	H	H1	H2	H3	M	SW	T	T1
K1462.10512	5	20	6	20	13,5	17	3	10	2	M12	5	5	3
K1462.10616	6	24	7,5	24	17,5	20	3	10	5	M16	6	5	3
K1462.10816	8	24	10	24	17,5	20	3	10	5	M16	8	5	3
K1462.11024	10	34	13	34	25	25	5	10	5	M24	10	5	5
K1462.11224	12	34	15	34	25	25	5	10	5	M24	12	5	5
K1462.11630	16	40	20	40	31	28	5	10	8	M30	16	5	5