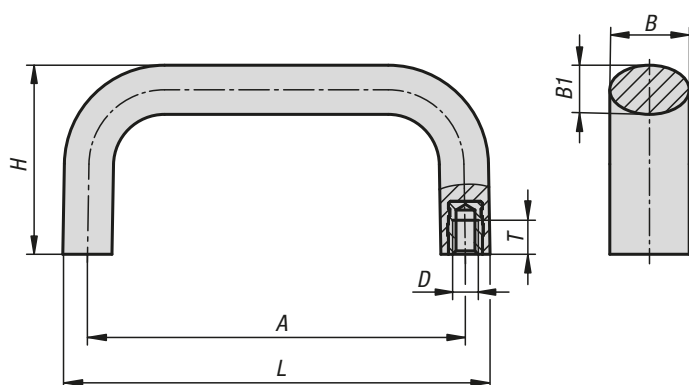


## Plastic pull handles, oval



**Material:**

Thermoset PF 31.  
Tapped bush, steel or stainless steel.

**Version:**

Thermoset black, high-gloss polished.  
Trivalent blue passivated steel or bright stainless steel.

**Sample order:**

K1458.21280621

**Temperature range:**

Permanent application temperature 140 °C.  
Temporary operating temperature max. 160 °C.

**Assembly:**

From the rear.

### KIPP Plastic pull handles, oval

Order No.	Component material	A	B	B1	D	H	L	T	Load capacity N
K1458.21000621	steel	100	21	13	M6	50	113	9	500
K1458.21200621	steel	120	21	13	M6	50	133	9	500
K1458.21280621	steel	128	21	13	M6	50	141	9	500
K1458.21600825	steel	160	25	17	M8	55	177	12	500
K1458.31000621	stainless steel	100	21	13	M6	50	113	9	500
K1458.31200621	stainless steel	120	21	13	M6	50	133	9	500
K1458.31280621	stainless steel	128	21	13	M6	50	141	9	500
K1458.31600825	stainless steel	160	25	17	M8	55	177	12	500