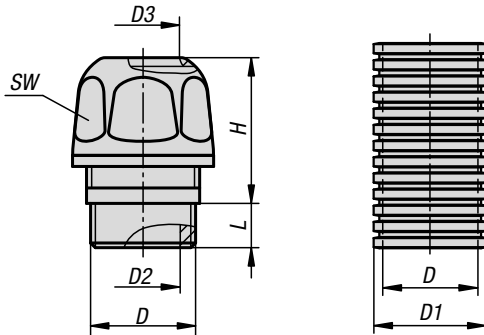


Cable glands, stainless steel or plastic

in Hygienic DESIGN



Material:

Stainless steel cable gland: Outer part 1.4404 Inner part 1.4305
 Plastic cable gland: Polyamide. Cable gland seal: TPU.
 Hose: Polyamide.

Version:

Cable gland: bright stainless steel, transparent plastic.
 Hose: coated

Sample order:

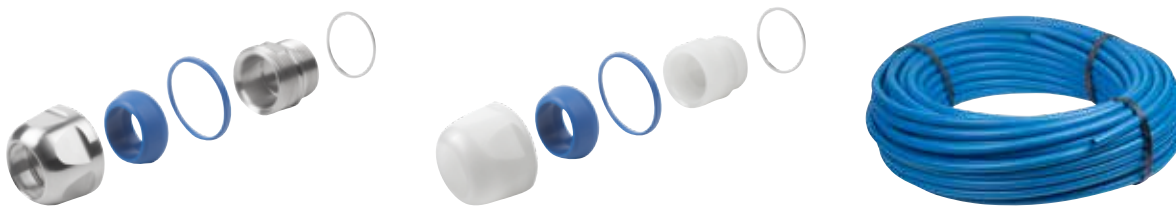
K1453.12150

Note:

Washers supplied.
 EN 60423 metric thread.
 IP rating 66, 68 up to 15 bar, 69K.
 Tension relief corresponds to EU standard 62444.
 EHEDG certified.
 Seal insert ADI - free

Temperature range:

Stainless steel cable gland: -40 °C to +85 °C.
 Plastic cable gland: -20 °C to +85 °C.
 Hose: -20 °C to +95 °C.



KIPP Cable glands, stainless steel or plastic, in Hygienic DESIGN

Order No. stainless steel	Order No. plastic	D	D2	D3	H	SW	L
K1453.12150	-	M12X1,5	8	7-5	19	17	7
K1453.16150	K1453.16151	M16x1,5	10	9-7	21/25	20/22	9
K1453.20150	K1453.20151	M20X1,5	12,5	12-9	27/29	24/26	9
K1453.25150	K1453.25151	M25x1,5	18,5	18-15	27/31	30/32	10
K1453.32150	K1453.32151	M32x1,5	25,3	23-20	27/32	36/38	11

KIPP Corrugated tube hose

Order No.	D	D1	L	Nominal size
K1461.1250	11,8	16	50 m	12
K1461.1750	15,6	21,6	50 m	17