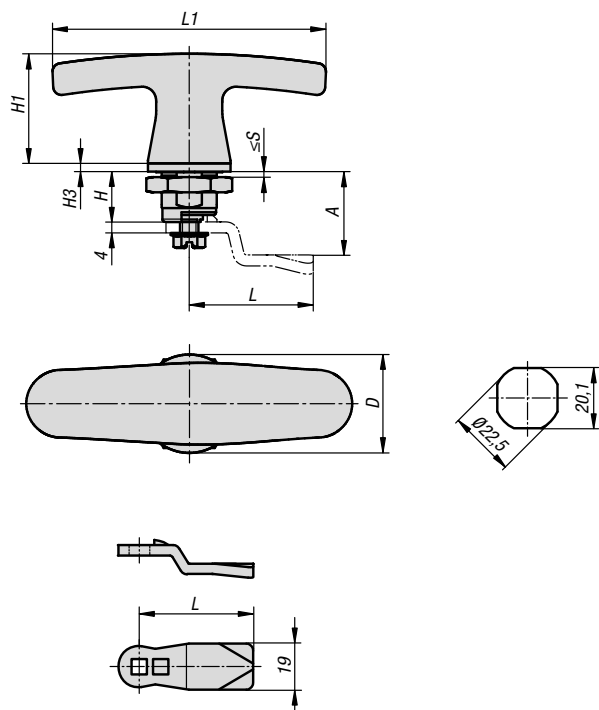


## Quarter-turn lock in Hygienic DESIGN

with T-grip



### Material:

Housing and actuation: 1.4404.

Earthing nut and ratchet screw: 1.4301.

Seal: blue silicon, FDA conform.

### Version:

Bright.

Grip polished.

### Sample order:

K1452.1188

### Note:

The hygienic stainless steel quarter turn lock prevents bacterial attack and fulfils the strict regulations of testing principles for foodstuff machinery and hygien. The well conceived geometric form, the mirror polished stainless steel surface and the central circumferential seal reliably prevent dirt accumulation. Water, cleaning agents etc. can drain off fully and so prevent contamination.

Especially in processes where the resistance of the seal to cleaning and disinfection agents is very important, optimised control cabinets, terminal boxes and command panels are a must. Specifically designed after the principles of Hygienic DESIGN, the hygienic quarter turn lock HD fulfils the strict regulations of the foodstuff processing industry and passes therefore optimally in their professional hygienic applications. The special seal is suitable for high pressure washing up to max. 100 bar and fulfils IP65/67. Furthermore, the seal is temperature stable up to 80°C and the blue colour satisfies FDA regulations (reliably prevents a confusion with foodstuffs).

### KIPP Quarter-turn locks in Hygienic DESIGN with T-grip

Order No.	D	H	H1	H3	L1	S max.
K1452.1188	30	18	40	3	100	8

### KIPP Tongue for quarter-turn locks

Order No.	A	L
K1340.45060	6	45
K1340.45080	8	45
K1340.45100	10	45
K1340.45140	14	45
K1340.45160	16	45
K1340.45180	18	45
K1340.45200	20	45
K1340.45220	22	45
K1340.45240	24	45
K1340.45260	26	45
K1340.45280	28	45
K1340.45320	32	45
K1340.45500	50	45

Please order required tongue version separately. Every tongue can be combined with every housing.