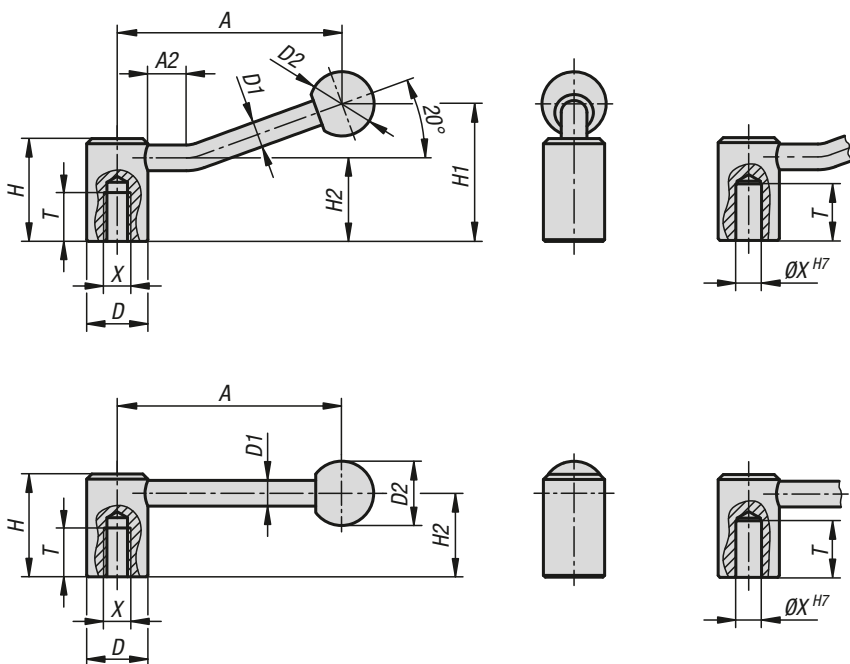


## Tension levers stainless steel



**Material:**

Steel parts stainless steel 1.4305.  
Ball knob black plastic.

**Version:**

Stainless steel parts bright.  
Ball knob polished.

**Sample order:**

K1444.2082

**Note:**

Tension levers can be used for simple clamping or control operations.  
Where applicable, there must be enough space available so that the grip can be rotated 360°.

**On request:**

Other internal threads, reamed holes and special versions.  
Dimension "A" available in other lengths at extra charge.

### KIPP Tension levers stainless steel

Order No. 0°	Order No. 20°	Thread type	X	A	A2	D	D1	D2	H	H1	H2	T
K1444.2082	K1444.208	internal thread	M8	88,1/84,5	-/15	24	10	25	40	-/52,5	32,5	18
K1444.2102	K1444.210	internal thread	M10	88,1/84,5	-/15	24	10	25	40	-/52,5	32,5	18
K1444.21012	K1444.2101	internal thread	M10	104/100	-/15	28	12	32	46	-/61	36,5	20
K1444.2122	K1444.212	internal thread	M12	104/100	-/15	28	12	32	46	-/61	36,5	20
K1444.2162	K1444.216	internal thread	M16	126,5/121	-/15	33	13	32	52	-/72	41	23
K1444.2202	K1444.220	internal thread	M20	128,5/123	-/15	41	13	32	61	-/80	49	26
K1444.1102	K1444.110	reamed hole	10	88,1/84,5	-/15	24	10	25	40	-/52,5	32,5	22
K1444.1122	K1444.112	reamed hole	12	104/100	-/15	28	12	32	46	-/61	36,5	25
K1444.1142	K1444.114	reamed hole	14	104/100	-/15	28	12	32	46	-/61	36,5	25
K1444.1162	K1444.116	reamed hole	16	126,5/121	-/15	33	13	32	52	-/72	41	28
K1444.1202	K1444.120	reamed hole	20	128,5/123	-/15	41	13	32	61	-/80	49	32