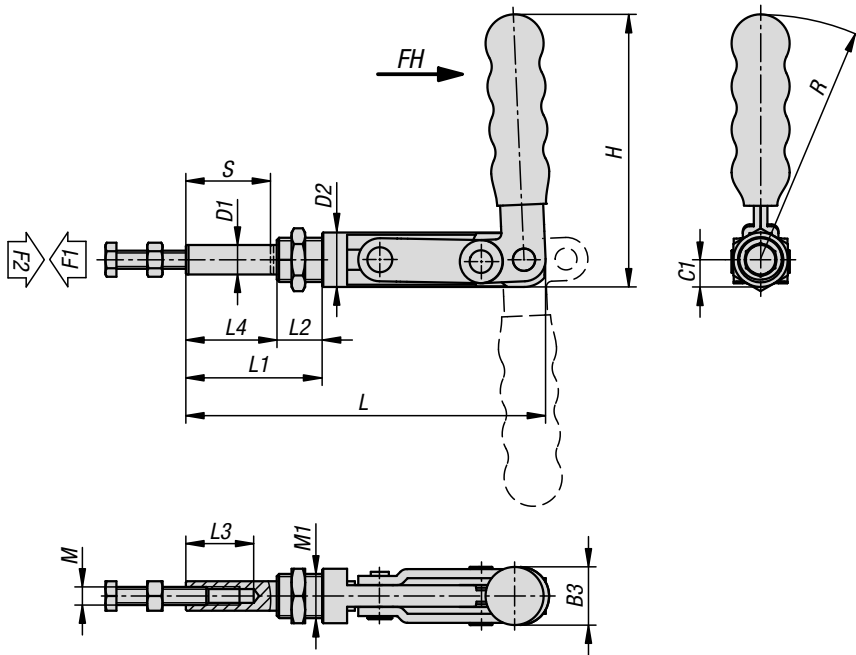


Toggle clamps push-pull

without mounting bracket



Material:
Steel.

Version:
Trivalent passivated.
Connecting rod, guide body and thrust screw phosphated.
Plastic grip oil-resistant.

Sample order:
K1440.03500

Note:
As the push-pull toggle clamps lock in open and closed handle positions, they can be used to clamp when pushing or pulling.
The fastening nut supplied allows the clamps to be mounted in any desired position.

Accessories:
K0101
K1442
K0102
K0103
K1443
K0106

KIPP Toggle clamps push-pull without mounting bracket

Order No.	Opening angle of handle	Hand force FH N	Clamping force F1 N	Retaining force F2 N
K1440.03500	185°	100	1400	3500
K1440.05500	185°	140	1500	5500
K1440.07500	185°	160	1600	7500

Order No.	B3	C1	D1	D2	H	L	L1	L2	L3	L4	M	M1	R	Travel S
K1440.03500	24	9,5	10	19	104,5	126,4	52	16	18	36	M6x25	M16x1,5	95	31
K1440.05500	25,6	12	13	24	120,5	158,5	60	20	30	40	M8x40	M20x1,5	108,5	38
K1440.07500	29	14,3	16	28,6	146,3	234,9	92,8	23	40	69,8	M10x50	M24x1,5	132	67