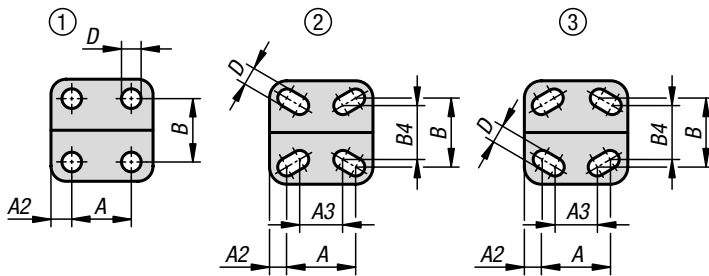
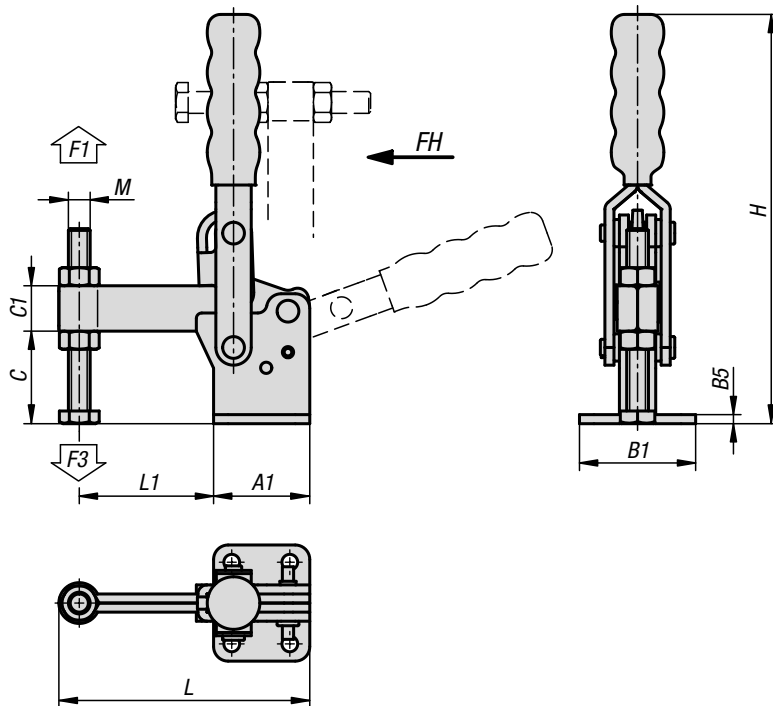


Toggle clamps vertical

with flat foot and fixed clamping spindle



Material:
Steel.

Version:
Trivalent passivated.
Clamping spindle and nuts phosphated.
Plastic grip oil-resistant.

Sample order:
K1438.00800

Note:
A neoprene thrust pad is supplied with version
K1438.00800.

Accessories:

- K0688
- K0689
- K0690
- K0101
- K1442
- K0102
- K0103
- K1443
- K0104
- K0106
- K1431



KIPP Toggle clamps vertical with flat foot and fixed clamping spindle

Order No.	hole arrangement	Opening angle of holding arm	Opening angle of handle	Hand force FH N	Retaining force F1 N	Clamping force F3 N
K1438.00800	2	96°	69°	50	800	600
K1438.01500	3	108°	70°	100	1500	1000
K1438.02400	1	90°	70°	150	2400	1200
K1438.03400	1	90°	70°	200	3400	1600
K1438.04400	1	90°	70°	250	4400	1600
K1438.05400	1	100°	50°	280	5400	1800

Order No.	A	A1	A2	A3	B	B1	B4	B5	C	C1	D	H	L	L1	M
K1438.00800	16	29	6,5	14	24	34	17,5	2,5	21,8	10,5	4,8	97	66,7	31,5	M5x35
K1438.01500	19	35	8	12,7	27	42	25	3	29	13	5,5	135	75,7	35	M6x50
K1438.02400	19	35	8	-	32	47	-	3	32	17,5	7,1	178	87,7	40	M08x65
K1438.03400	32	50	9	-	45	64	-	4	42	22	8,3	218	124,3	65	M10x80
K1438.04400	32	53	10	-	45	64	-	5	51	25	8,7	226	138,3	74	M12x100
K1438.05400	50,8	76,2	12,7	-	69,8	95,2	-	8	82,1	31,8	12,3	303	197,5	107,8	M16x150