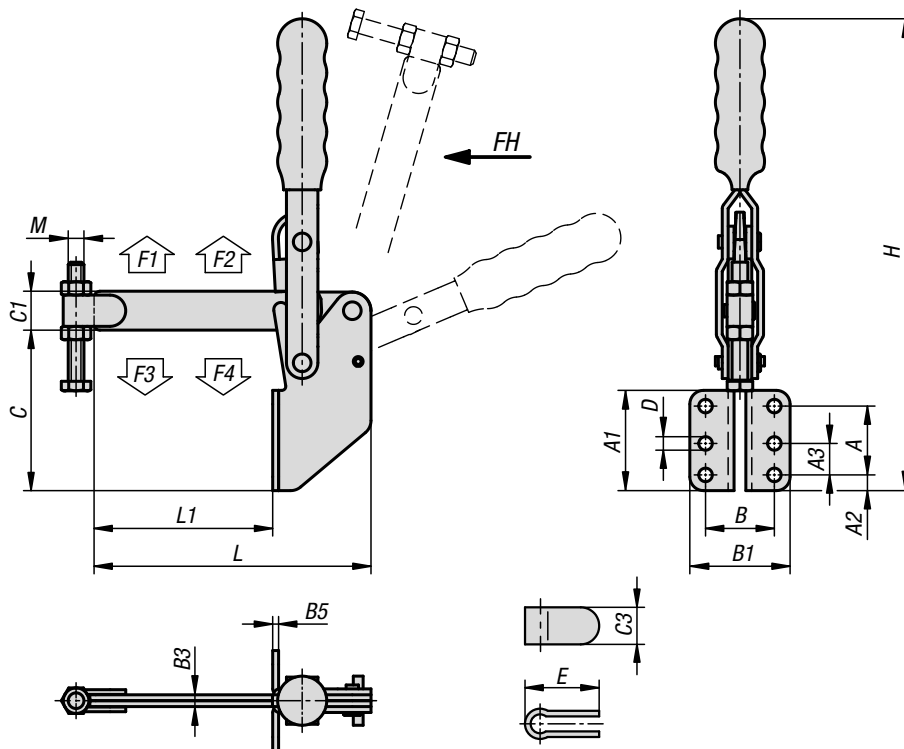


## Toggle clamps vertical

with angled foot and full holding arm



**Material:**  
Steel.

**Version:**  
Electro zinc-plated steel.  
Plastic handle, oil-resistant.

**Sample order:**  
K1437.03600

**Note:**  
spindle bracket weldable.

**Accessories:**  
K0688  
K0689  
K0690  
K0101  
K1442  
K0102  
K0103  
K1443  
K0104  
K0106

### KIPP Toggle clamps vertical with angled foot and full holding arm

Order No.	Opening angle of holding arm	Opening angle of handle	Hand force FH N	Retaining force F1 N	Retaining force F2 N	Clamping force F3 N	Clamping force F4 N
K1437.03600	106°	67°	100	2000	3600	900	1800

Order No.	A	A1	A2	A3	B	B1	B3	B5	C	C1	C3	D	E	H	L	L1	M
K1437.03600	35	51	8	16	35	51	6	3	82	19	16	6,8	31	244	143	93	M8x60