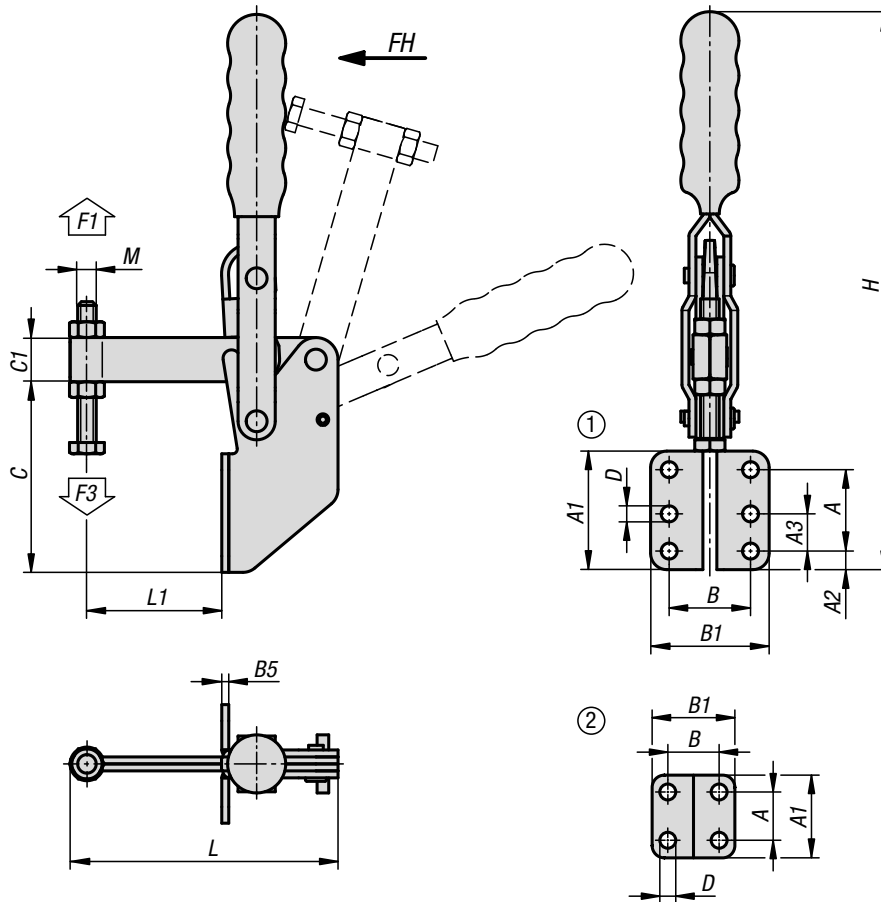


Toggle clamps vertical

with angled foot and fixed clamping spindle



Material:
Steel.

Version:
Trivalent passivated.
Clamping spindle and nuts phosphated.
Plastic grip oil-resistant.

Sample order:
K1436.00800

Note:
A neoprene thrust pad is supplied with versions K1436.00800 and K1436.01600.

Accessories:

- K0688
- K0689
- K0690
- K0101
- K1442
- K0102
- K0103
- K1443
- K0104
- K0106



KIPP Toggle clamps vertical with angled foot and fixed clamping spindle

Order No.	Opening angle of holding arm	Opening angle of handle	Hand force FH N	Retaining force F1 N	Clamping force F3 N
K1436.00800	96°	69°	50	800	600
K1436.01600	108°	70°	100	1600	1100
K1436.03000	106°	67°	100	3000	1100

Order No.	A	A1	A2	A3	B	B1	B5	C	C1	D	H	L	L1	M
K1436.00800	14	29	-	-	17,5	28	2,5	44	10	4,9	121	65,65	24,5	M5x35
K1436.01600	19	35	-	-	26	42	3	64	13	5,5	170	75,7	26	M6x50
K1436.03000	35	51	8	16	35	51	3	82	19	6,8	244	115,3	58	M8x60