

Toggle clamps horizontal

with flat foot and full holding arm



Material:
Steel.

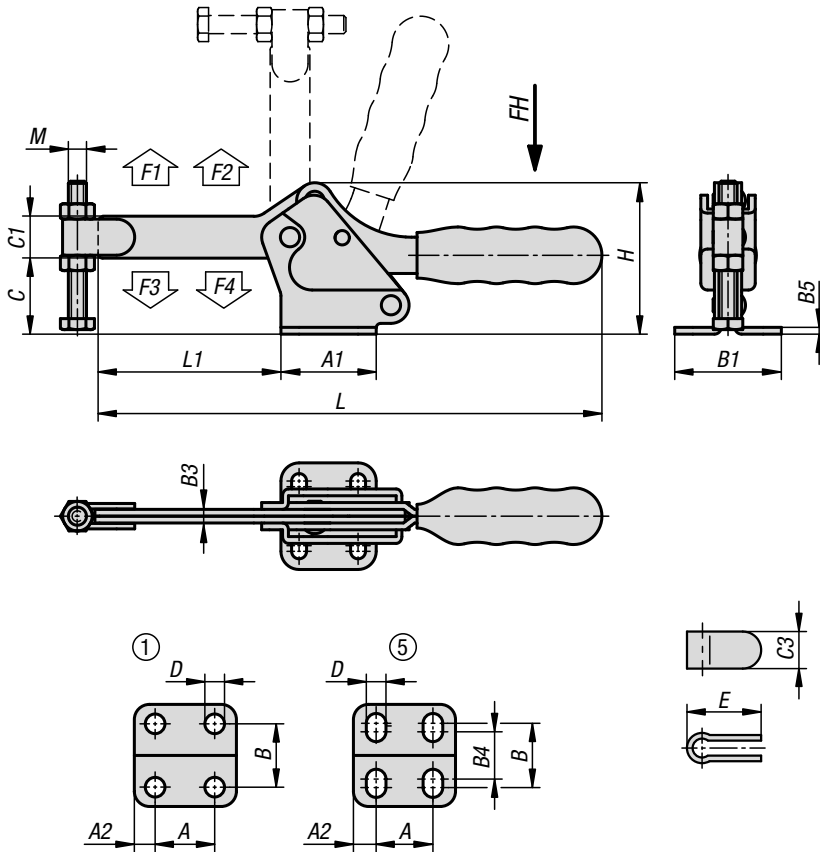
Version:
Electro zinc-plated steel.
Plastic handle, oil-resistant.

Sample order:
K1435.01400

Note:
spindle bracket weldable.

Accessories:

- K0688
- K0689
- K0690
- K0101
- K1442
- K0102
- K0103
- K1443
- K0104
- K0106
- K1431



KIPP Toggle clamps horizontal with flat foot and full holding arm

Order No.	hole arrangement	Opening angle of holding arm	Opening angle of handle	Hand force FH N	Retaining force F1 N	Retaining force F2 N	Clamping force F3 N	Clamping force F4 N
K1435.01400	5	90°	72°	200	1400	3400	800	1900
K1435.02400	5	94°	76°	250	2400	5400	1100	3000
K1435.03000	1	94°	80°	250	3000	6400	1100	3000

Order No.	A	A1	A2	B	B1	B3	B4	B5	C	C1	C3	D	E	H	L	L1	M
K1435.01400	26	42	8	31	47	6	26	3	34	17,5	16	6,6	31	67	224	82	M8x60
K1435.02400	41,2	59	9	43	59	8	39	4	45	23	20	8,7	40	90,1	280	111	M10x80
K1435.03000	41,2	66	13	41,3	67	10	-	5	59	26	23	8,7	44	111	307	130	M12x100