

## Toggle clamps horizontal

with flat foot and fixed clamping spindle



**Material:**

Steel.

**Version:**

Trivalent passivated.  
Clamping spindle and nuts phosphated.  
Plastic grip oil-resistant.

**Sample order:**

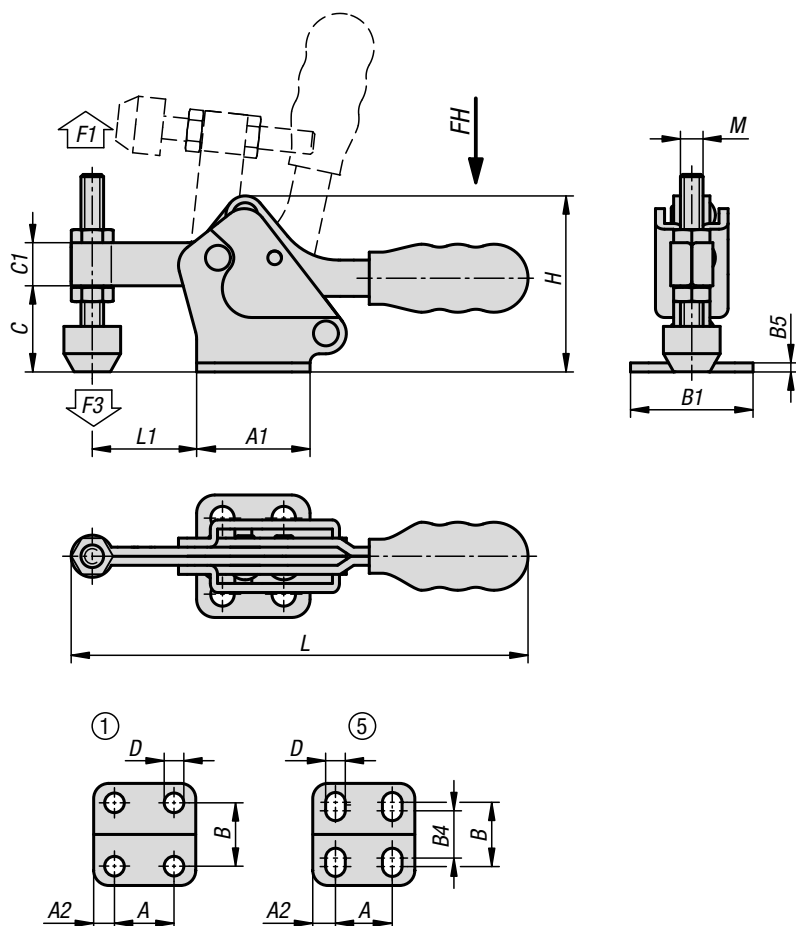
K1434.00700

**Note:**

The clamping spindle is supplied with a neoprene thrust pad.

**Accessories:**

- K0688
- K0689
- K0101
- K1442
- K0102
- K0103
- K1443
- K0104
- K0106
- K1431



### KIPP Toggle clamps horizontal with flat foot and fixed clamping spindle

Order No.	hole arrangement	Opening angle of holding arm	Opening angle of handle	Hand force FH N	Retaining force F1 N	Clamping force F3 N
K1434.00700	1	96°	78°	50	700	300
K1434.01400	5	93°	76°	150	1400	600

Order No.	A	A1	A2	B	B1	B4	B5	C	C1	D	H	L	L1	M
K1434.00700	13,5	25	5,7	16,8	27	-	2	19	9,5	5,2	38,8	101	23	M5x35
K1434.01400	26	38	6	28	40	22	2,5	25	14	5,5	53	156	38	M6x50