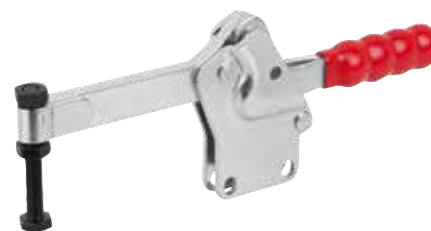


Toggle clamps horizontal

with straight foot and full holding arm



Material:
Steel.

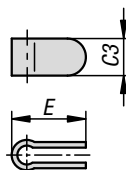
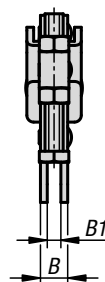
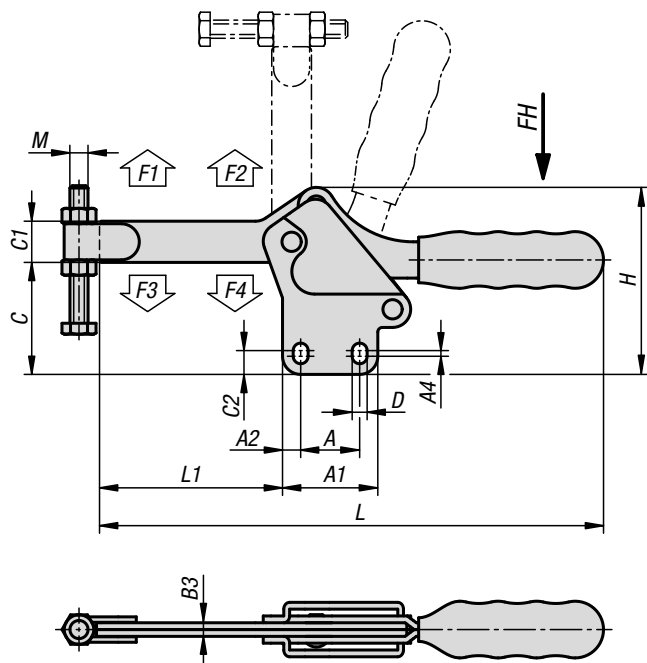
Version:
Electro zinc-plated steel.
Plastic handle, oil-resistant.

Sample order:
K1433.03400

Note:
spindle bracket weldable.

Accessories:

- K0688
- K0689
- K0690
- K0101
- K1442
- K0102
- K0103
- K1443
- K0104
- K0106



KIPP Toggle clamps horizontal with straight foot and full holding arm

Order No.	Opening angle of holding arm	Opening angle of handle	Hand force FH N	Retaining force F1 N	Retaining force F2 N	Clamping force F3 N	Clamping force F4 N
K1433.03400	90°	72°	200	1400	3400	800	1900
K1433.05400	94°	76°	250	2400	5400	1100	3000

Order No.	A	A1	A2	A4	B	B1	B3	C	C1	C2	C3	D	E	H	L	L1	M
K1433.03400	26	42	8	2,5	12	6	6	49,7	17,5	10,5	16	6,6	31	82,5	224	82	M8x60
K1433.05400	41,2	59	9	2	16	8	8	63,8	23	10	20	8,7	40	109	280	111	M10x80