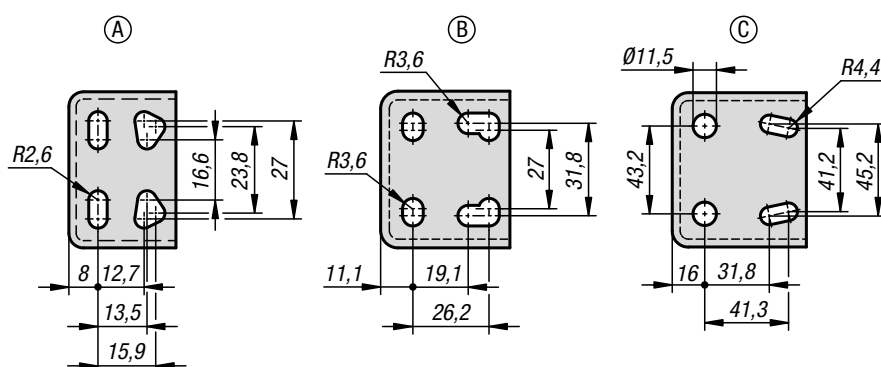


**Material:**  
Steel.

**Version:**  
Trivalent passivated.

**Sample order:**  
K1431.02

**Drawing reference:**  
1) mount clamp on this face



### KIPP Angle brackets

Order No.	Form	A	A1	A2	B	B1	B2	B3	D	S
K1431.02	A	18	43	12,5	15	37	13,5	29,5	5,3	2
K1431.04	B	25,4	54	14,3	19,1	41,5	12	44,5	5,5	3
K1431.06	C	44	76	16	32	62	21	66	8,5	4