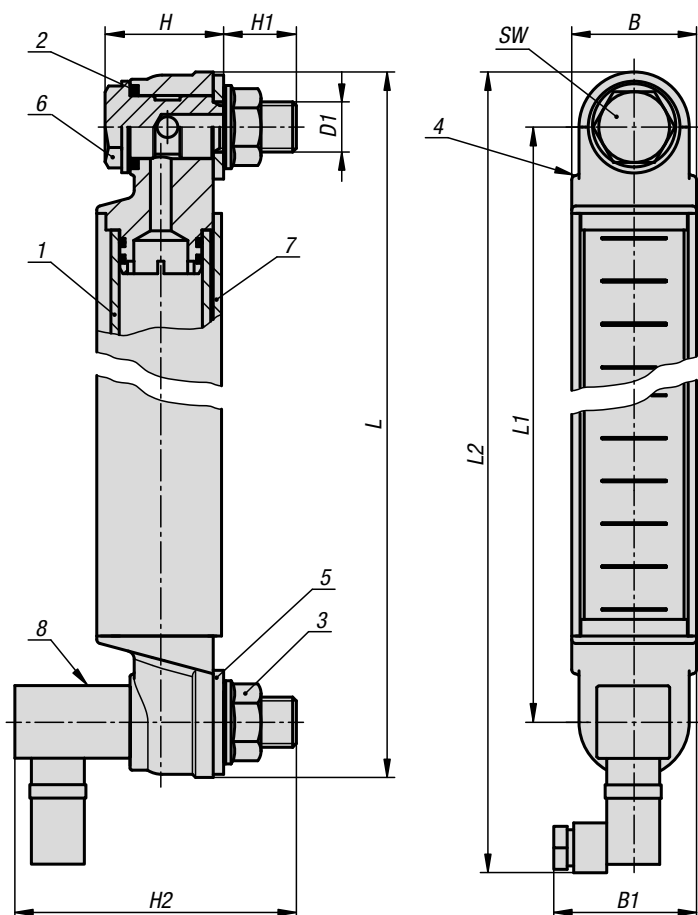


Oil level gauges

with electronic temperature monitoring, long version



Material:

Housing aluminium.
 Tube polycarbonate.
 Caps polyamide.
 O-ring and flat seal NBR.
 Reflector PVC.
 Screws and nuts, steel.

Version:

Sight glass crystal clear.
 Reflector white.
 Screws and nuts electro zinc-plated.

Sample order:

K1429.1300

Note:

In addition to a visual check, the oil level gauges can also emit an electric signal if the temperature of the liquid inside the container reaches the threshold of 70 °C. The temperature is monitored by a temperature switch (bi-metal). When the specified temperature is reached, the sensor closes (NO) or opens (NC) the circuit depending on the model. The maximum pressure is 1 bar. The maximum tightening torque of the fastening screws is 5 Nm. The sight glass has high mechanical strength and is resistant to mineral oil, petrol, lubricants, petroleum, solvents and most chemical substances. Avoid contact with alcoholic solutions and hot water.

Temperature range:

Maximum operating temperature: 75 °C.

Assembly:

The oil level gauge is secured using two M12 tapped holes or, two 12.2 mm (± 0.2 mm) holes and flange nuts. Centre distance for the fastening holes = $L1 \pm 0.5$.

Drawing reference:

- 1) Sight glass
- 2) O-ring
- 3) M12 flange nut
- 4) Plastic end cap
- 5) Flat seal
- 6) M12 hollow screw
- 7) Aluminium housing
- 8) Temperature sensor

KIPP Oil level gauge with electric temperature monitoring, long version

Order No.	Version 2	B	B1	D1	H	H1	H2	L	L1	L2	SW	Number of fastening screws
K1429.1300	normally open contact	30	39	M12	30	16,5	80	326,6	300	358,3	17	2
K1429.2300	normally closed contact	30	39	M12	30	16,5	80	326,6	300	358,3	17	2
K1429.1400	normally open contact	30	39	M12	30	16,5	80	426,6	400	458,3	17	2
K1429.2400	normally closed contact	30	39	M12	30	16,5	80	426,6	400	458,3	17	2
K1429.1500	normally open contact	30	39	M12	30	16,5	80	526,6	500	558,3	17	2
K1429.2500	normally closed contact	30	39	M12	30	16,5	80	526,6	500	558,3	17	2