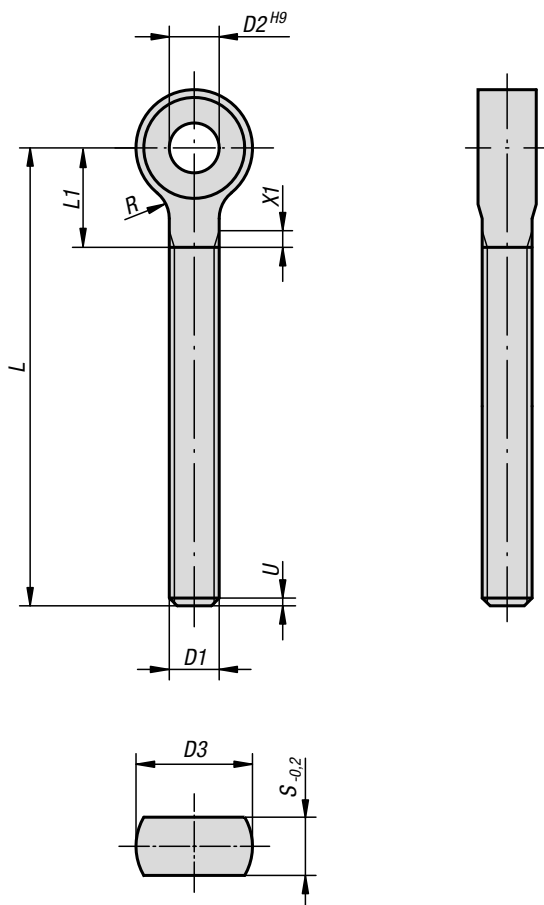


Eye bolts DIN 444, Form B

with long thread



Material:

Steel or 1.4305 stainless steel

Version:

Steel grade 8.8, black oxidised.

Stainless steel bright.

Sample order:

K1418.0850

Note:

Eye bolts, threaded up to the eye.
See K0007 for suitable hinge pins.

Drawing reference:

$U = \max. 2 P$ (incomplete thread)

$X1 =$ to DIN 76 part 1

Eye bolts DIN 444, Form B

with long thread



KIPP Eye bolts DIN 444, Form B with long thread

Order No. steel	Order No. stainless steel A2	D1	D2	D3	L	L1 max.	R	S
K1418.0650	K1418.10650	M6	6	14	50	14	4	7
K1418.0660	K1418.10660	M6	6	14	60	14	4	7
K1418.0670	K1418.10670	M6	6	14	70	14	4	7
K1418.0680	K1418.10680	M6	6	14	80	14	4	7
K1418.0850	K1418.10850	M8	8	18	50	16	4	9
K1418.0860	K1418.10860	M8	8	18	60	16	4	9
K1418.0870	K1418.10870	M8	8	18	70	16	4	9
K1418.0880	K1418.10880	M8	8	18	80	16	4	9
K1418.08100	K1418.108100	M8	8	18	100	16	4	9
K1418.1050	K1418.11050	M10	10	20	50	18	4	12
K1418.1060	K1418.11060	M10	10	20	60	18	4	12
K1418.1070	K1418.11070	M10	10	20	70	18	4	12
K1418.1080	K1418.11080	M10	10	20	80	18	4	12
K1418.10100	K1418.110100	M10	10	20	100	18	4	12
K1418.10120	K1418.110120	M10	10	20	120	18	4	12
K1418.1250	K1418.11250	M12	12	25	50	23	6	14
K1418.1260	K1418.11260	M12	12	25	60	23	6	14
K1418.1270	K1418.11270	M12	12	25	70	23	6	14
K1418.1280	K1418.11280	M12	12	25	80	23	6	14
K1418.12100	K1418.112100	M12	12	25	100	23	6	14
K1418.12120	K1418.112120	M12	12	25	120	23	6	14
K1418.12130	K1418.112130	M12	12	25	130	23	6	14
K1418.1670	K1418.11670	M16	16	32	70	27	6	17
K1418.1680	K1418.11680	M16	16	32	80	27	6	17
K1418.16100	K1418.116100	M16	16	32	100	27	6	17
K1418.16120	K1418.116120	M16	16	32	120	27	6	17
K1418.16140	K1418.116140	M16	16	32	140	27	6	17
K1418.16160	K1418.116160	M16	16	32	160	27	6	17
K1418.20100	K1418.120100	M20	18	40	100	32	6	22
K1418.20120	K1418.120120	M20	18	40	120	32	6	22
K1418.20140	K1418.120140	M20	18	40	140	32	6	22
K1418.20160	K1418.120160	M20	18	40	160	32	6	22
K1418.24160	-	M24	22	45	160	40	10	25
K1418.24240	-	M24	22	45	240	40	10	25