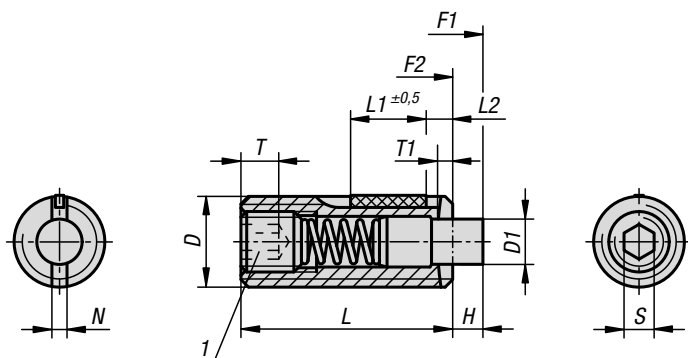


Spring plungers

with hex socket and flat POM thrust pin, stainless steel, with thread lock



Material:

Sleeve stainless steel 1.4305.
Thrust pin POM.
Spring stainless steel 1.4310.

Thread lock nylon.

Version:

Bright.

Sample order:

K1382.16

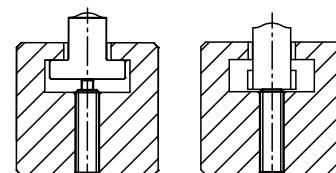
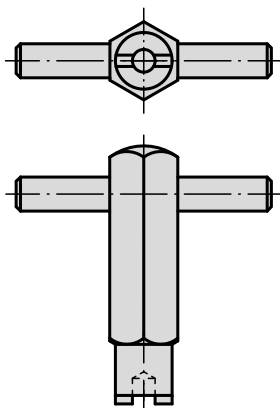
Note:

These spring plungers are chiefly used as ejectors and spring stops in machine construction. The thrust pin is actuated in the axial direction.

Drawing reference:

L2 = ca. two full threads

1) grub screw glued-in



KIPP Spring plungers with hex socket and flat thrust pin, standard spring force, with thread lock

Order No.	D	D1	H	L	L1	T	T1	N	S	Spring force initial pressure F1 approx. N	Spring force final pressure F2 approx. N	Tightening torque approx. Nm	Loosening torque approx. Nm	Order No. Assembly key
K1382.05	M5	2,4	2,3	18	7	2	0,8	0,8	1,5	5	17	0,12	0,08	K0317.905
K1382.06	M6	2,7	2,5	20	7	2,5	1	1	2	6	17	0,45	0,22	K0317.906
K1382.08	M8	3,5	3	22	8	3	1,4	1,2	2,5	7	29	1,05	0,37	K0317.908
K1382.10	M10	4	3	22	9	3,5	1,4	1,6	3	8	31	1,3	0,6	K0317.910
K1382.12	M12	6	4	28	10	5	2	2	4	10	47	2	1,3	K0317.912
K1382.16	M16	7,5	5	32	14	6	2,5	2,5	5	38	85	3,9	3	K0317.916