

Spring plungers

with hexagon socket and flattened thrust pin, stainless steel



Material:

Sleeve 1.4305.
Thrust pin 1.4034.
Spring 1.4310.

Version:

Bright.
Thrust pin hardened.

Sample order:

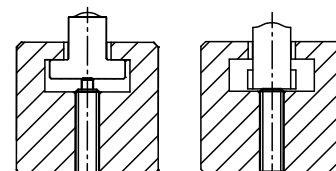
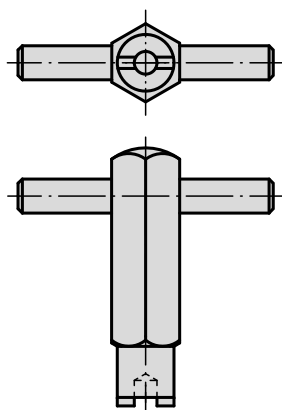
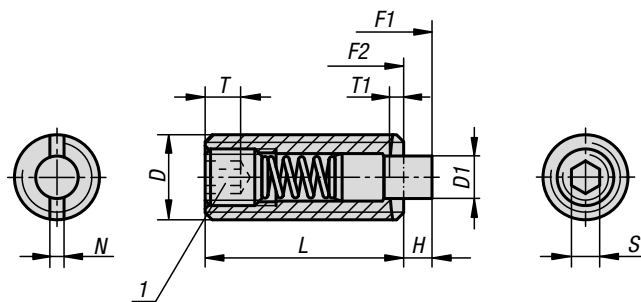
K1379.16

Note:

These spring plungers are chiefly used as ejectors and spring stops in machine construction. The thrust pin is actuated in the axial direction.

Drawing reference:

1) grub screw glued in



KIPP Spring plungers with hexagon socket and flattened thrust pin, standard spring force

Order No.	D	D1	H	L	T	T1	N	S	Spring force initial pressure F1 approx. N	Spring force final pressure F2 approx. N	Order No. Assembly key
K1379.05	M5	2,4	2,3	18	2	0,8	0,8	1,5	5	17	K0317.905
K1379.06	M6	2,7	2,5	20	2,5	1	1	2	6	17	K0317.906
K1379.08	M8	3,5	3	22	3	1,4	1,2	2,5	7	29	K0317.908
K1379.10	M10	4	3	22	3,5	1,4	1,6	3	8	31	K0317.910
K1379.12	M12	6	4	28	5	2	2	4	10	47	K0317.912
K1379.16	M16	7,5	5	32	6	2,5	2,5	5	38	85	K0317.916