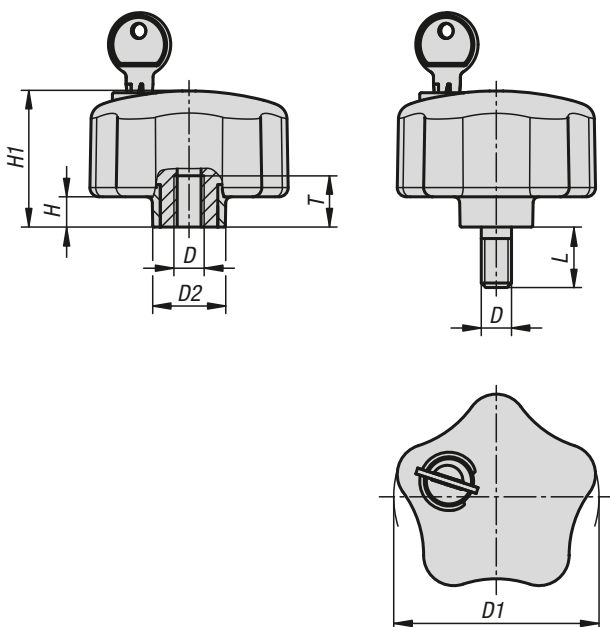


Five lobe grips

plastic, lockable



Material:

Grip thermoplastic.
Bush and threaded pin steel grade 5.8 or stainless steel 1.4305.

Version:

Grip black grey RAL 7021 or red similar to RAL 3020.
Steel parts trivalent blue passivated.
Stainless steel bright.

Sample order:

K1378.6810X20

Note:

Lockable five lobe grips prevent unauthorised loosening of the screw connection.
The cylinder lock forms a positive lock between grip and screw.
When unlocked the grip rotates freely without driving the screw, preventing unauthorised opening of the screw connection.

The lockable five lobe grips are supplied with 2 keys each.

The key can be removed in the open and closed position.

The locks are a single-key system, i.e. the same key works in all locks.

On request:

Other versions.

KIPP Five lobe grips, plastic, lockable, with female thread

Order No. steel	Order No. stainless steel	Main colour	D	D1	D2	H	H1	T
K1378.6806	K1378.06806	black grey	M6	68	24	10	45,5	17
K1378.6808	K1378.06808	black grey	M8	68	24	10	45,5	17
K1378.6810	K1378.06810	black grey	M10	68	24	10	45,5	17
K1378.846806	K1378.0846806	red	M6	68	24	10	45,5	17
K1378.846808	K1378.0846808	red	M8	68	24	10	45,5	17
K1378.846810	K1378.0846810	red	M10	68	24	10	45,5	17

KIPP Five lobe grips, plastic, lockable, with male thread

Order No. steel	Order No. stainless steel	Main colour	D	D1	D2	H	H1	L
K1378.6808X20	K1378.06808X20	black grey	M8	68	24	10	45,5	20
K1378.6810X20	K1378.06810X20	black grey	M10	68	24	10	45,5	20
K1378.846808X20	K1378.0846808X20	red	M8	68	24	10	45,5	20
K1378.846810X20	K1378.0846810X20	red	M10	68	24	10	45,5	20