

## Spring plungers

with hex socket and flat POM thrust pin, steel, with thread lock

**KIPPl**ock



**Material:**

Sleeve steel grade 5.8.  
Thrust pin POM.  
Spring grade D spring steel wire.

Thread lock nylon.

**Version:**

Black oxidised.

**Sample order:**

K1373.16

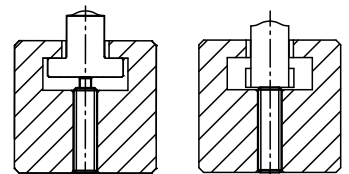
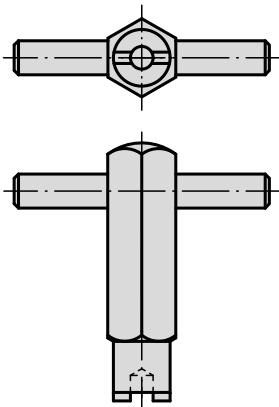
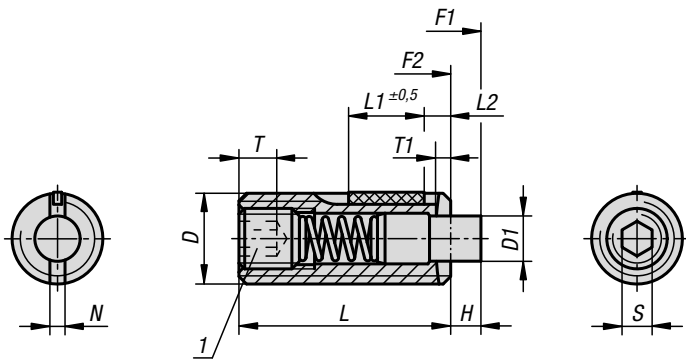
**Note:**

These spring plungers are chiefly used as ejectors and spring stops in machine construction. The thrust pin is actuated in the axial direction.

**Drawing reference:**

L2 = ca. two full threads

1) grub screw glued-in



**KIPP Spring plungers with hex socket and flat thrust pin, standard spring force, with thread lock**

Order No.	D	D1	H	L	L1	T	T1	N	S	Spring force initial pressure F1 approx. N	Spring force final pressure F2 approx. N	Tightening torque approx. Nm	Loosening torque approx. Nm	Order No. Assembly key
K1373.05	M5	2,4	2,3	18	7	2	0,8	0,8	1,5	6	20	0,12	0,08	K0317.905
K1373.06	M6	2,7	2,5	20	7	2,5	1	1	2	7	20	0,45	0,22	K0317.906
K1373.08	M8	3,5	3	22	8	3	1,4	1,2	2,5	9	35	1,05	0,37	K0317.908
K1373.10	M10	4	3	22	9	3,5	1,4	1,6	3	9	35	1,3	0,6	K0317.910
K1373.12	M12	6	4	28	10	5	2	2	4	12	55	2	1,3	K0317.912
K1373.16	M16	7,5	5	32	14	6	2,5	2,5	5	45	100	3,9	3	K0317.916