

## Spring plungers

with hexagon socket and flattened POM thrust pin, steel



**Material:**

Sleeve steel grade 5.8.  
Thrust pin POM.  
Spring grade D steel wire.

**Version:**

Black oxidised.

**Sample order:**

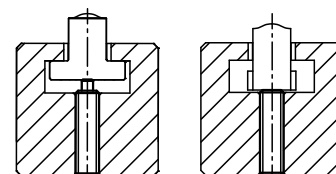
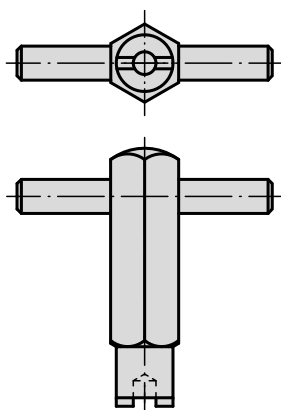
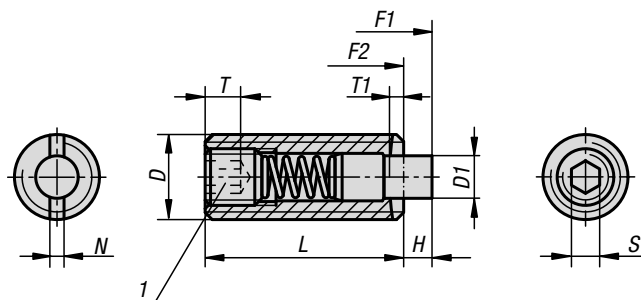
K1372.16

**Note:**

These spring plungers are chiefly used as ejectors and spring stops in machine construction. The thrust pin is actuated in the axial direction.

**Drawing reference:**

1) grub screw glued in



**KIPP Spring plungers with hexagon socket and flattened thrust pin, standard spring force**

Order No.	D	D1	H	L	T	T1	N	S	Spring force initial pressure F1 approx. N	Spring force final pressure F2 approx. N	Order No. Assembly key
K1372.05	M5	2,4	2,3	18	2	0,8	0,8	1,5	6	20	K0317.905
K1372.06	M6	2,7	2,5	20	2,5	1	1	2	7	20	K0317.906
K1372.08	M8	3,5	3	22	3	1,4	1,2	2,5	9	35	K0317.908
K1372.10	M10	4	3	22	3,5	1,4	1,6	3	9	35	K0317.910
K1372.12	M12	6	4	28	5	2	2	4	12	55	K0317.912
K1372.16	M16	7,5	5	32	6	2,5	2,5	5	45	100	K0317.916