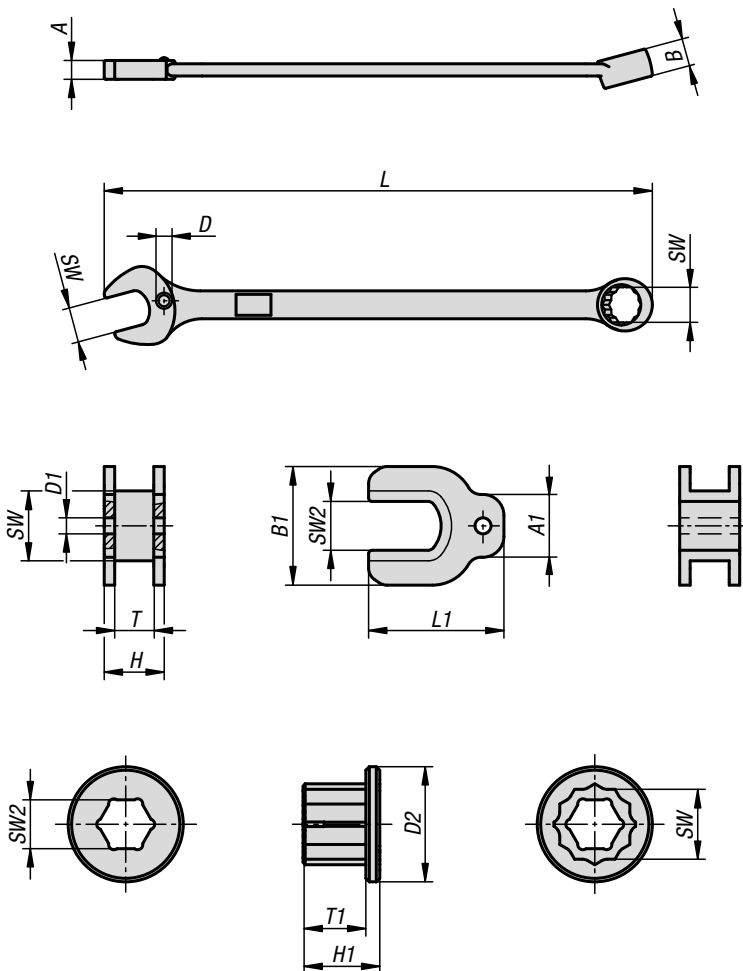


Combination spanner with protective caps

**Material:**

Combination spanner tool steel.
Protective cap AISi1MgMn.

Sample order:

K1362.10 combination spanner
K1362.1007 caps for open-end spanner
K1362.11007 caps for ring spanner

Note:

The protective cap was specially developed for tightening and loosening screw connections with sensitive surfaces. With normal tools, the surface of polished screws are so damaged from the first tightening, that cavities are created making easy and effective cleaning no longer possible.

The protective caps ensure damage free tightening and loosening of fasteners with outer contours. The soft aluminium leaves no scratches or other damage on sensitive surfaces. By correct and professional use the protective caps have a service life of ca. 1000 operating cycles.

Additionally, with the protective caps the risk of contact corrosion is reliably prevented on stainless steel fasteners. The projecting contour largely prevents unintentional contact points between spanner and stainless steel screw. The protective caps are made of the aluminium alloy EN AW 6082 and so comply with EN 602 - aluminium in contact with food.

The protective cap is held securely in the spanner by a special moulding or spring clip element. The cap cannot fall out on its own. Worn-out protective caps are changed manually.

On request:

Other sizes.



KIPP Combination spanner

Order No.	SW	A	B	L	D
K1362.10	10	5	8	154,5	5
K1362.11	11	5,5	8,4	168,5	5
K1362.13	13	6,3	10	193	6
K1362.16	16	7	11,4	230,5	6
K1362.19	19	8	13,5	268,5	7
K1362.21	21	8,5	13,7	292	7
K1362.27	27	10,5	16	380	9

KIPP Cap for open-end spanner

Order No.	SW	SW2	A1	B1	L1	D1	T	H
K1362.1007	10	7	9	17	19,4	2,3	5,6	8,6
K1362.1108	11	8	9	18	20,7	2,3	5,7	8,7
K1362.1310	13	10	10	22	23,2	3	6,7	10,7
K1362.1613	16	13	13	27	28,6	3	7,7	11,7
K1362.1916	19	16	13	30	32,5	4	8,6	12,6
K1362.2118	21	18	13	32	35	4	9	13
K1362.2724	27	24	14	40	43,8	4	10,8	15

KIPP Cap for ring spanner

Order No.	SW	SW2	D2	T1	H1
K1362.11007	10	7	16,5	8	11
K1362.11108	11	8	18	9,4	11,4
K1362.11310	13	10	21	11	13
K1362.11613	16	13	25	12,4	14,4
K1362.11916	19	16	30	14,5	16,5
K1362.12118	21	18	32	14,7	16,7
K1362.12724	27	24	41	17	19