

Quarter-turn locks lockable, stainless steel



Material:

Quarter-turn lock 1.4401 stainless steel.
Tongue 1.4301 stainless steel.

Version:

Bright.

Sample order:

Quarter turn lock K1355.18
Tongue K1340.45060

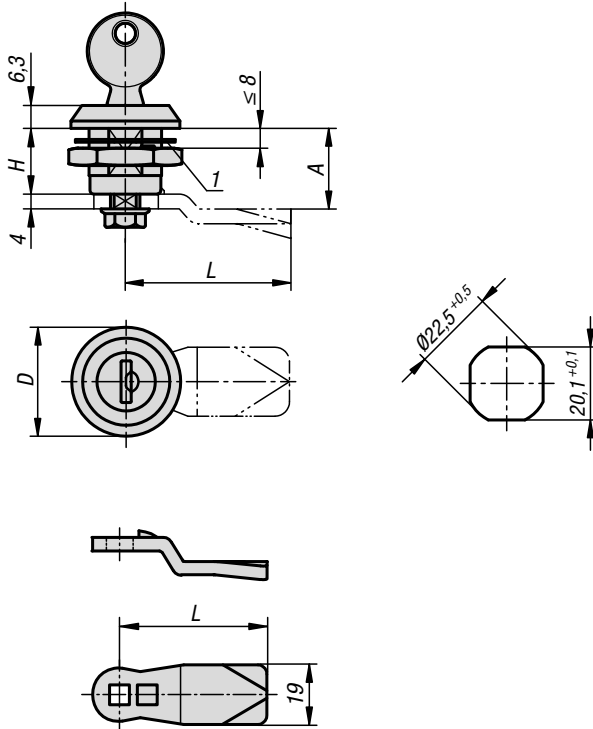
Note:

The quarter turn lock can be installed pre-assembled. Housing with fastening nut and plate cylinder, same key locking, incl. 2 keys (lock type 1333).

Please order required tongue version separately. Every tongue can be combined with every housing.

Drawing reference:

1) flat seal



KIPP Quarter-turn lock, lockable, stainless steel

Order No.	Actuation	D	H
K1355.18	key single-key system	30	18

KIPP Tongue for quarter-turn lock

Order No.	A	L
K1340.45060	6	45
K1340.45080	8	45
K1340.45100	10	45
K1340.45140	14	45
K1340.45160	16	45
K1340.45180	18	45
K1340.45200	20	45
K1340.45220	22	45
K1340.45240	24	45
K1340.45260	26	45
K1340.45280	28	45
K1340.45320	32	45
K1340.45500	50	45