

Quarter-turn security locks, stainless steel



Material:

Quarter-turn lock 1.4401 stainless steel.
Tongue 1.4301 stainless steel.

Version:

Bright.

Sample order:

Quarter turn lock K1350.14518
Tongue K1340.45060

Note:

The secure quarter turn lock is shock and vibration-resistant acc. to DIN 43668 even under high pressing force due to a built-in restrictor element. Actuation without a suitable key is not possible. The key can be removed only in the locked position. quarter turn lock, pre-assembled. Right version = closes anti-clockwise. Left version = closes clockwise. Water and dust protected acc. to IP65 from DIN EN 60529.

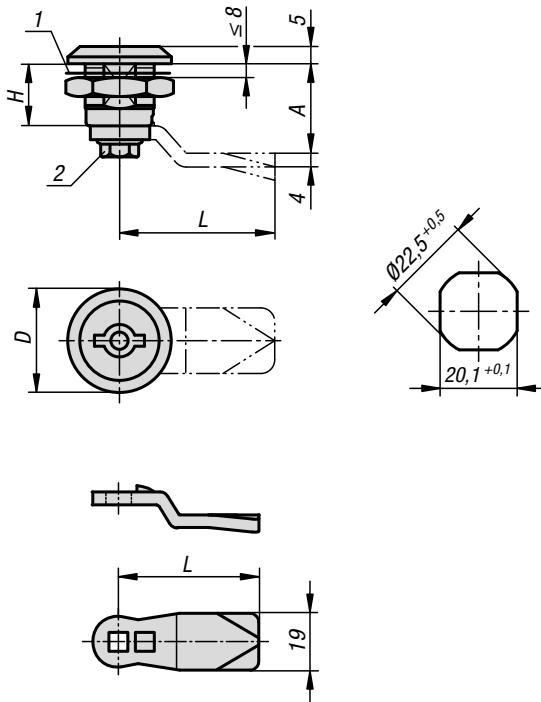
Please order required tongue version separately. Every tongue can be combined with every housing.

Accessories:

Key K0535

Drawing reference:

- 1) flat seal
- 2) self-locking screw



KIPP Quarter-turn security locks, stainless steel

Order No.	Version 1	Actuation	D	H
K1350.14518	right	double lug 5 mm	30	18
K1350.24518	left	double lug 5 mm	30	18

KIPP Tongue for quarter-turn locks

Order No.	A	L
K1340.45060	6	45
K1340.45080	8	45
K1340.45100	10	45
K1340.45140	14	45
K1340.45160	16	45
K1340.45180	18	45
K1340.45200	20	45
K1340.45220	22	45
K1340.45240	24	45
K1340.45260	26	45
K1340.45280	28	45
K1340.45320	32	45
K1340.45500	50	45