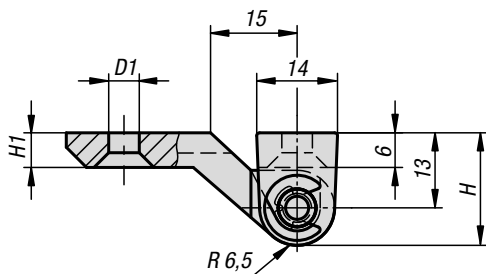
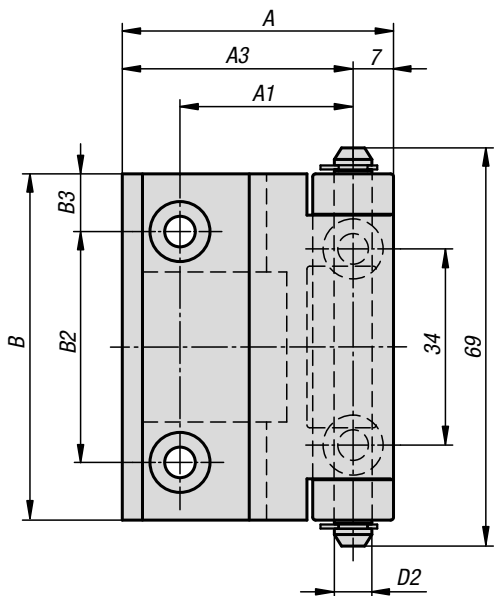


Hinge

stainless steel



Material:

Hinge body stainless steel 1.4401.
Pin and retaining rings stainless steel 1.4305.

Version:

Satin finished.

Sample order:

K1348.0540073000

Note:

Hinge for flush constructions.
Right or left mounting.
Ideal for mounting on narrow frames.
The opening angle is max. 220°.



KIPP Hinge, stainless steel

Order No.	A	A1	A3	B	B2	B3	D1	D2	H	H1
K1348.0540073000	47	30	40	60	40	10	5,3	6,5	19,5	6