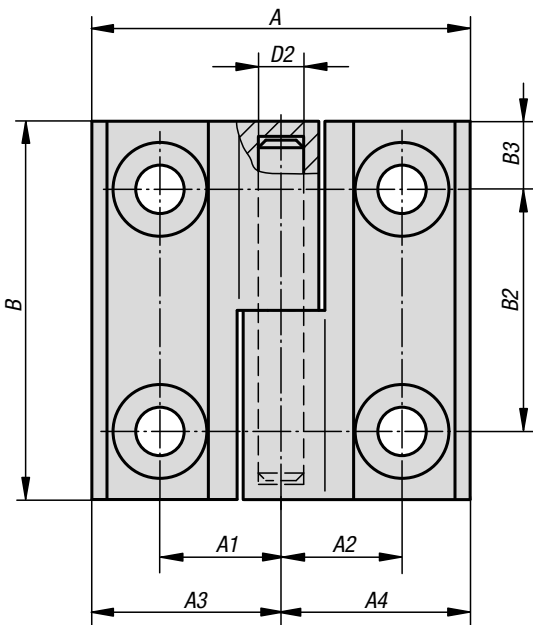
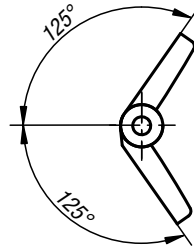
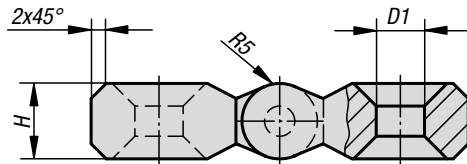


## Hinges lift-off

stainless steel



**Material:**

Hinge and pin stainless steel 1.4401.

**Version:**

Satin finished.

**Sample order:**

K1342.06251616

**Note:**

This double symmetry hinge can be mounted right or left.

The opening angle is max. 125°.

The loading values given for the hinges are non-binding reference values, which do not consider safety factors and exclude any liability. The values given are for information purposes only and do not constitute a legally binding assurance of properties.

These load values were determined under laboratory conditions. Each user must determine individually whether the hinge is suitable for the respective application.

Wide differences in the materials on which the hinges are installed, the type of mounting, weather conditions and wear, can influence the determined values.

**KIPP Hinges lift-off, stainless steel**

Order No.	A	A1	A2	A3	A4	B	B2	B3	D1	D2	H	Load capacity N
K1342.06251616	50	16	16	25	25	50	32	9	6,4	6	10	5000