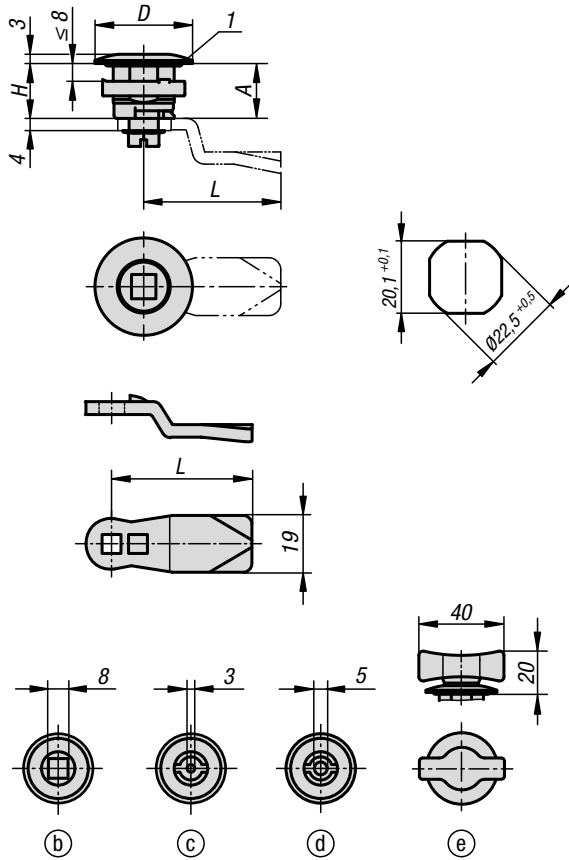


Quarter-turn locks, stainless steel

small version



Material:
 Housing and fastening nut 1.4404 stainless steel.
 Actuator 1.4401.
 O-ring NBR.
 Tongue 1.4301 stainless steel.

Version:
 Bright.

Sample order:
 Quarter turn lock K1339.1718
 Tongue K1340.45060

Note:
 The quarter turn lock can be installed pre-assembled.
 For right or left use.

Water and dust protected acc. to IP65 to DIN EN 60529.

Please order required tongue version separately. Every tongue can be combined with every housing.

Accessories:
 Key K0535

Drawing reference:
 Actuation:
 a) square 7 mm
 b) square 8 mm
 c) double lug 3 mm
 d) double lug 5 mm
 e) wing grip

1) O-ring

KIPP Quarter-turn locks, stainless steel, small version

Order No.	Actuation	D	H
K1339.1718	square 7 mm	32	18
K1339.1818	square 8 mm	32	18
K1339.4318	double lug 3 mm	32	18
K1339.4518	double lug 5 mm	32	18
K1339.0018	grip	32	18

KIPP Tongue for quarter-turn locks

Order No.	A	L
K1340.45060	6	45
K1340.45080	8	45
K1340.45100	10	45
K1340.45140	14	45
K1340.45160	16	45
K1340.45180	18	45
K1340.45200	20	45
K1340.45220	22	45
K1340.45240	24	45
K1340.45260	26	45
K1340.45280	28	45
K1340.45320	32	45
K1340.45500	50	45