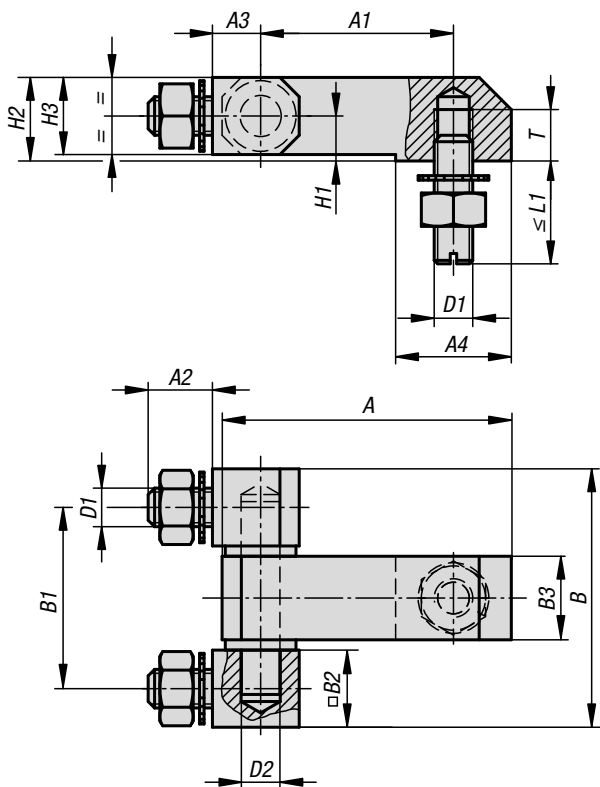
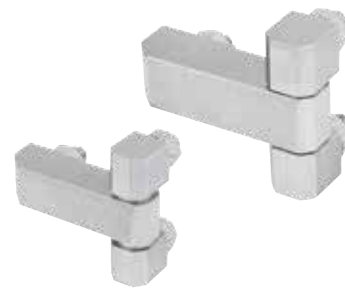


Block hinges

with fastening nuts

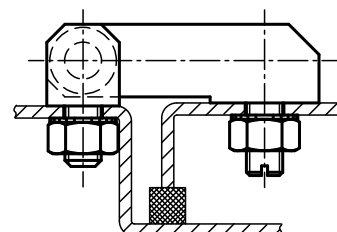


Material:
Hinge stainless steel 1.4305.
Fastening material stainless steel 1.4305.

Version:
Polished.

Sample order:
K1338.10630028

Note:
Block hinge for flush constructions.
Light and heavy types.



KIPP Block hinges with fastening nuts

Order No.	A	A1	A2	A3	A4	B	B1	B2	B3	D1	D2	H1	H2	H3	L1	T	Load capacity N
K1338.10630028	45	30	10	7,5	18	40,2	28,2	12	13	M6	6	7	13	12	16	8	2600
K1338.10840035	61	40	14	10	26	51	35	16	18	M8	8	10	18	16	20	10	4800