

## Latch stainless steel

DIN 3133



**Material:**

Stainless steel 1.4301.

**Version:**

Vibratory ground.

**Sample order:**

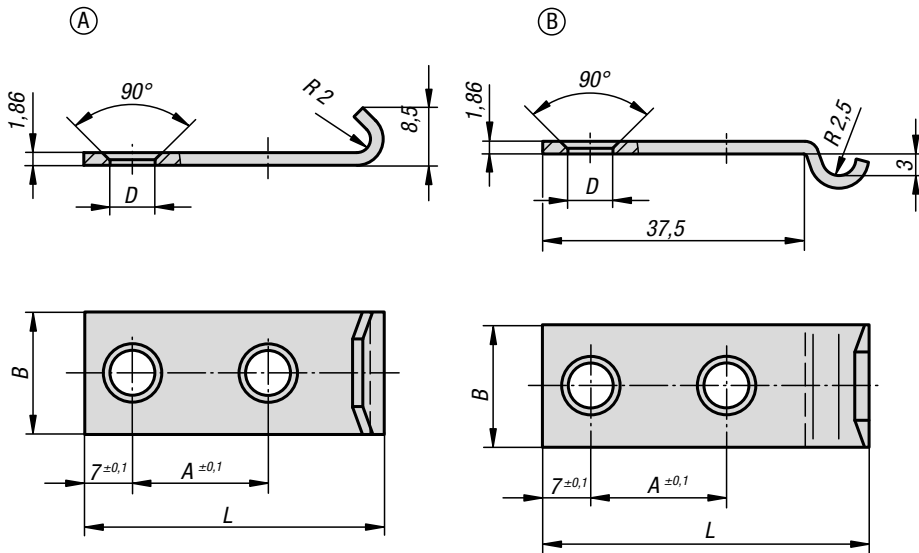
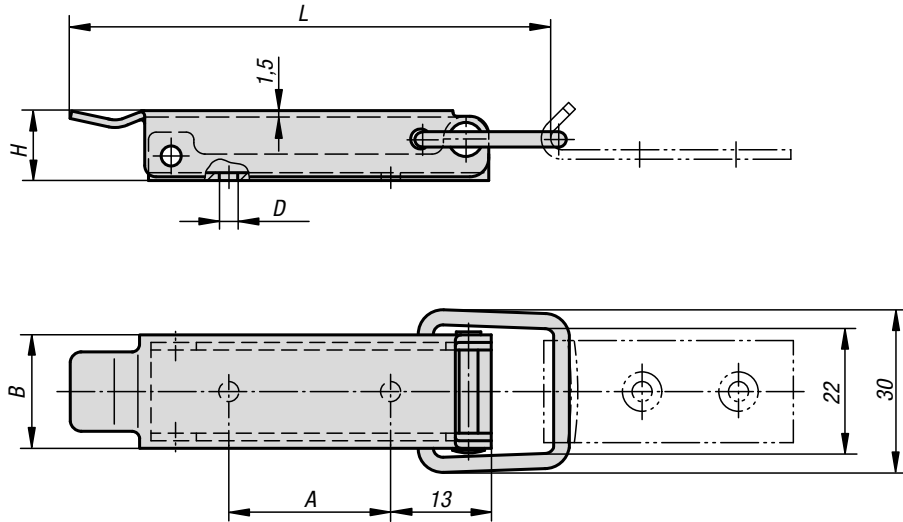
Latch K1336.350742

Catch plate K1336.91460442

**Note:**

For quickly locking vertical or horizontal lids and hatches.

With security seal possibility.



### KIPP Latch stainless steel DIN 3133

Order No.	L	B	H	A	D
K1336.350742	70	18	12	22	3,5

### KIPP Catch plates

Order No.	Form	L	B	A	D
K1336.91460442	A	44	18	20	4,8
K1336.92460482	B	48	18	20	4,8