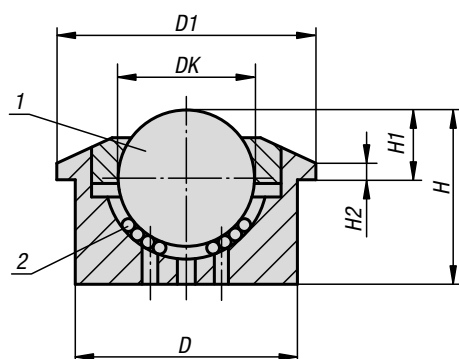


Ball transfer units heavy duty

suitable for outdoor use



Material:

Balls stainless steel 1.4021.
Housing stainless steel 1.4301.

Version:

Bright.

Sample order:

K1325.330

Note:

Solid steel ball transfer units are designed for long life by impact loading. All units are supplied with solid steel housings and hardened surfaces. The large number of self-cleaning apertures give the ball transfer units a high self-cleaning efficiency making them suitable for outdoor use.

Drawing reference:

- 1) load ball
- 2) bearing balls



KIPP Ball transfer units, heavy duty, suitable for outdoor use

Order No.	DK	D1	D	H	H1	H2	Load rating C (N)
K1325.330	30	55	45±0,080	36,8	13,8±0,2	3,4	2000
K1325.345	44,5	75	62±0,1	53,5	19	3,8	3000