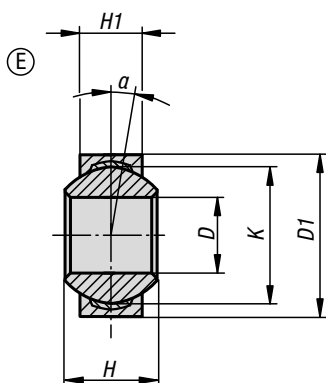
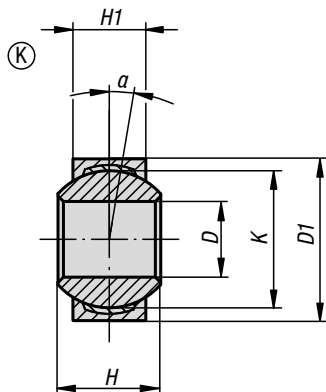


Spherical bearings K/E series

DIN ISO 12240-1



Material:

Bearing shell stainless steel 1.4571.
Ball joint stainless steel 1.4034.
Bearing surface PTFE/stainless steel insert.

Version:

Ground, polished.

Sample order:

K1324.10513

Note:

Suitable for high dynamic loads. The fitting dimensions comply with DIN ISO 12240-1 E/K.



KIPP Pivot bearings K series DIN ISO 12240-1

Order No.	D	D1	H	H1	K	α	Dynamic load rating N	Static load rating N	Speed limit rpm
K1324.10513	5 H7	13 h7	8	6	11,11	13°	7500	12500	600
K1324.10615	6 H7	15 h7	9	6,75	12,7	13°	9300	15500	530
K1324.10818	8 H7	18 h7	12	9	15,87	14°	16700	27800	420
K1324.11021	10 H7	21 h7	14	10,5	19,05	13°	23400	39000	350
K1324.11224	12 H7	24,5 h7	16	12	22,22	13°	32000	34500	300
K1324.11631	16 H7	31,5 h7	21	15	28,57	15°	52500	88000	230

KIPP Pivot bearings E series DIN ISO 12240-1

Order No.	D	D1	H	H1	K	α	Dynamic load rating N	Static load rating N
K1324.20614	6 -0,008	14 -0,008	6	4	10	13°	4000	9000
K1324.20816	8 -0,008	16 -0,008	8	5	13	15°	7000	15600
K1324.21019	10 -0,008	19 -0,009	9	6	16	12°	10000	23400
K1324.21222	12 -0,008	22 -0,009	10	7	18	11°	14000	32000
K1324.21630	16 -0,008	30 -0,009	14	10	25	10°	39000	65000