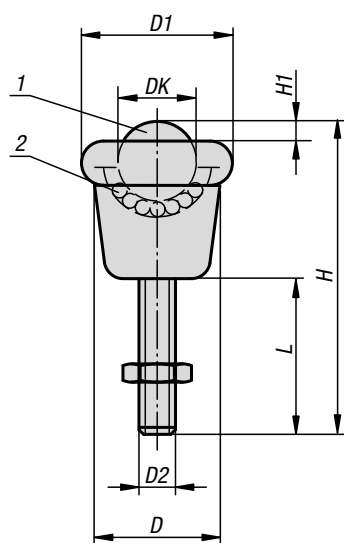


Ball transfer units with stud



Material:

Balls stainless steel 1.4021.
Housing stainless steel 1.4301.

Version:

Bright.

Sample order:

K1322.190820

Note:

The ball transfer units has a large support area.
The stud fastening allows for high stability and heavy loading.
The formed wiper seal is external.

Drawing reference:

- 1) load ball
- 2) bearing balls

KIPP Ball transfer units with stud

Order No.	DK	D	D1	D2	H	H1	L	Tightening torque of screws Nm	Load rating C (N)
K1322.190820	19	25,4	32,1	M8	50,2	4,7	20	15	250
K1322.190835	19	25,4	32,1	M8	75,2	4,7	45	15	250