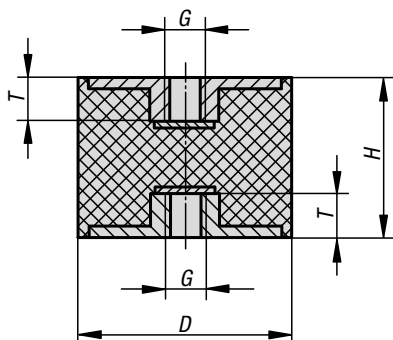


## Rubber buffers

stainless steel, type C



**Material:**

Metal parts 1.4401 stainless steel.  
Elastomer natural rubber, medium hardness Shore 55A, grey.

**Version:**

Stainless steel bright.

**Sample order:**

K1320.01001055

**Note:**

The rubber buffers are widely-used construction elements for elastic mounting. They are used, among other things, as mountings for aggregates, motors, compressors, pumps and testing machinery.

**Temperature range:**

-30 °C to +80 °C

**On request:**

Metal parts 1.4301 stainless steel.

### KIPP Rubber buffers, stainless steel, type C

Order No.	D	H	G	T	Spring stiffness N/mm	Load N
K1320.01001055	10	10	M4	4	100	50
K1320.01001555	10	15	M4	4	50	50
K1320.01501555	15	15	M4	4	100	100
K1320.02002055	20	20	M6	5	230	276
K1320.02002555	20	25	M6	5	120	180
K1320.02502055	25	20	M6	5	230	276
K1320.02502555	25	25	M6	5	110	165
K1320.02503055	25	30	M6	5	80	160
K1320.03002055	30	20	M8	7	425	637
K1320.03003055	30	30	M8	7	175	350
K1320.03004055	30	40	M8	7	133	400
K1320.04003055	40	30	M8	7	530	1060
K1320.04004055	40	40	M8	7	222	666
K1320.05003055	50	30	M10	8	680	1360
K1320.05004055	50	40	M10	8	333	1000
K1320.05005055	50	50	M10	8	190	665
K1320.07504055	75	40	M12	10	750	2250
K1320.07505055	75	50	M12	10	636	2225