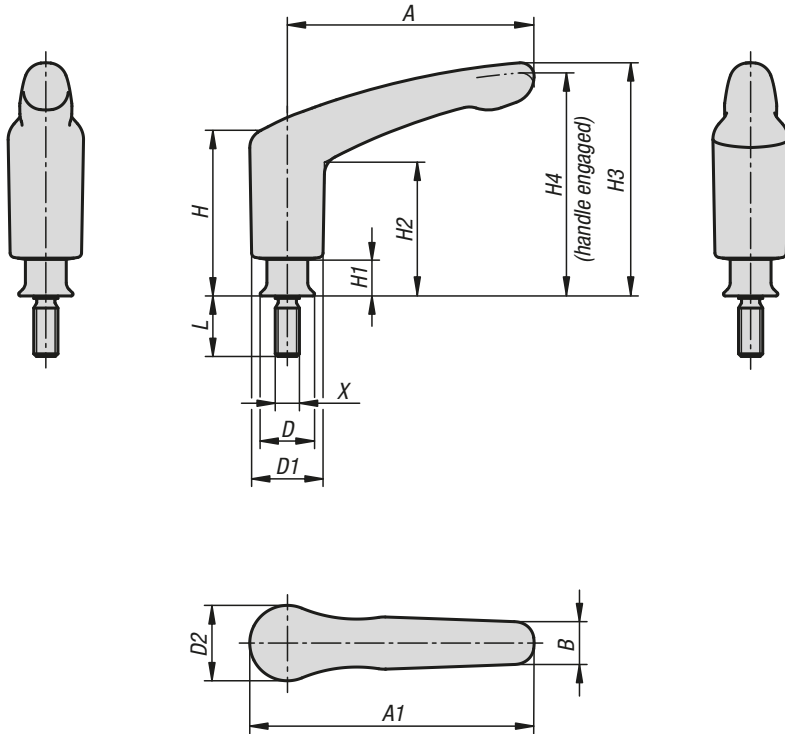


## Clamping levers with external thread and collar

for Hygienic USIT® Freudenberg Process Seals sealing and shim washer



**Material:**

Metal parts stainless steel 1.4404.  
Shaft seal 70 EPDM 291.

**Version:**

High-gloss polished.

**Sample order:**

K1317.308X16

**Note:**

Clamping lever designed for the hygienic sector. The completely closed grip part and the shaft seal prevent contamination of the lever internal workings. Additionally, the screw insert has a conical collar so that the fastening point can be hygienically sealed with the Hygienic USIT® sealing and shim washer.

Due to the extremely high surface finish quality of much less than Ra 0.8 µm, hardly any dirt particles adhere to the surface. The highly polished surfaces enable easy cleaning.

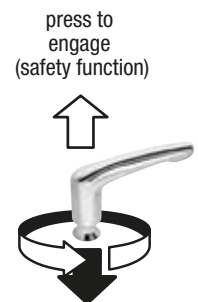
At rest, the lever is freely rotatable. Unintended opening of the lever is excluded. The toothing is protected against high wear for mounting on vibrating elements.

**On request:**

Other screw lengths and inch threads.

**Accessories:**

Hygienic USIT® sealing and shim washer K1491.



### KIPP Clamping levers with external thread and collar for Hygienic USIT® Freudenberg Process Seals sealing and shim washer

| Order No.  | X   | D    | D1   | D2   | H    | H1   | H2   | H3   | H4   | A    | A1   | B    | No. of teeth | L                       |
|------------|-----|------|------|------|------|------|------|------|------|------|------|------|--------------|-------------------------|
| K1317.106X | M6  | 14,2 | 21   | 21,7 | 36,7 | 8,8  | 27   | 50,6 | 47,6 | 47,4 | 58,2 | 11,8 | 16           | 20/30/40/50             |
| K1317.206X | M6  | 14,2 | 21   | 22,1 | 45,7 | 10,7 | 36,8 | 64,1 | 61,1 | 66,5 | 77,5 | 13   | 16           | 20/30/40/50             |
| K1317.208X | M8  | 18   | 21   | 22,1 | 45,7 | 10,7 | 36,8 | 64,1 | 61,1 | 66,5 | 77,5 | 13   | 16           | 20/30/40/50/60          |
| K1317.308X | M8  | 18   | 23,6 | 24,9 | 54,7 | 12,1 | 44   | 77   | 73,5 | 81,5 | 94   | 14,2 | 20           | 16/20/25/30/35/40/50/60 |
| K1317.310X | M10 | 22,3 | 23,6 | 24,9 | 54,7 | 12,1 | 44   | 77   | 73,5 | 81,5 | 94   | 14,2 | 20           | 20/25/30/35/40/50/60    |
| K1317.312X | M12 | 26,6 | 23,6 | 24,9 | 54,7 | 12,1 | 44   | 77   | 73,5 | 81,5 | 94   | 14,2 | 20           | 25/30/35/40/50/60       |