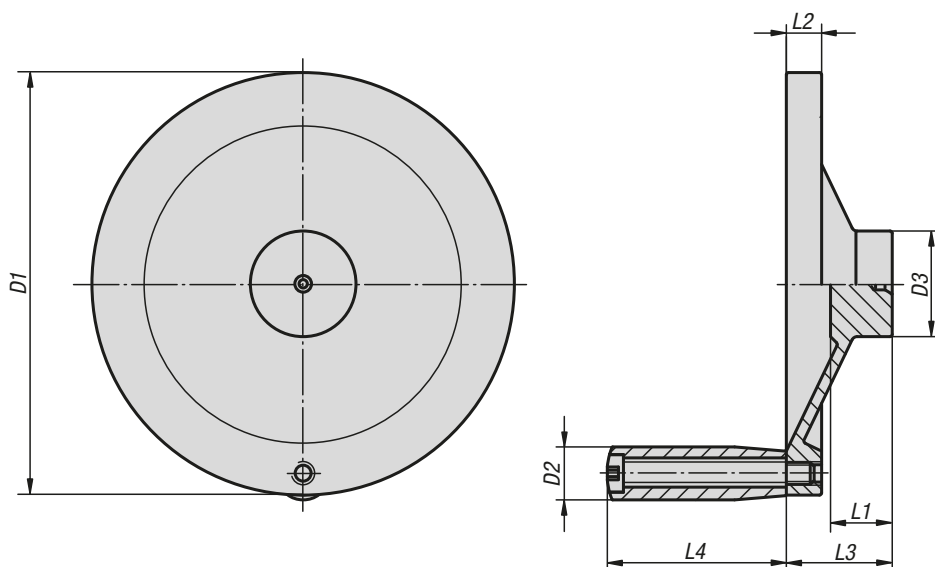


Handwheels disc stainless steel

with revolving grip



Material:

Stainless steel 1.4301.

Version:

Turned, bright.

Hub is centre bored.

Sample order:

K1307.4076X00

On request:

Stainless steel 1.4401.

Stainless steel 1.4404.

Stainless steel 1.4571.



KIPP Handwheels disc stainless steel, with revolving grip

Order No.	D1	D2	D3	L1	L2	L3	L4
K1307.4076X00	76,2	9,91	22,1	17,02	6,1	27,9	37,9
K1307.4101X00	101,6	11,94	25,9	18,03	7,87	31,7	39,88
K1307.4152X00	152,4	19,05	38,1	22,1	12,7	38,1	63,5
K1307.4203X00	203,2	22,1	45,7	24,13	14,22	45,7	76,2
K1307.4254X00	254	22,1	50,8	26,67	15,75	50,8	76,2