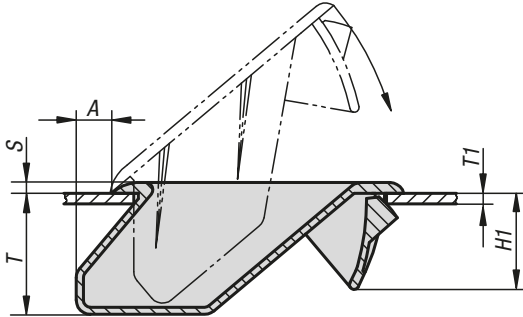


Recessed grips

clip-in



Material:
Polyamide.

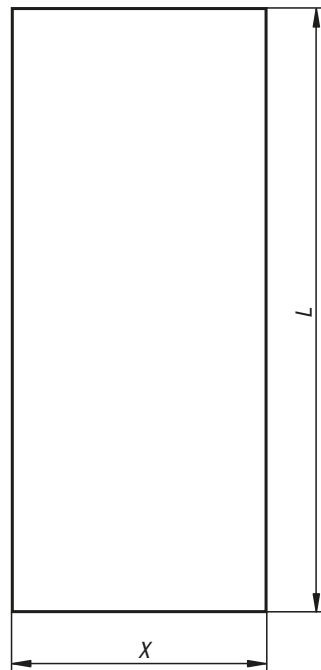
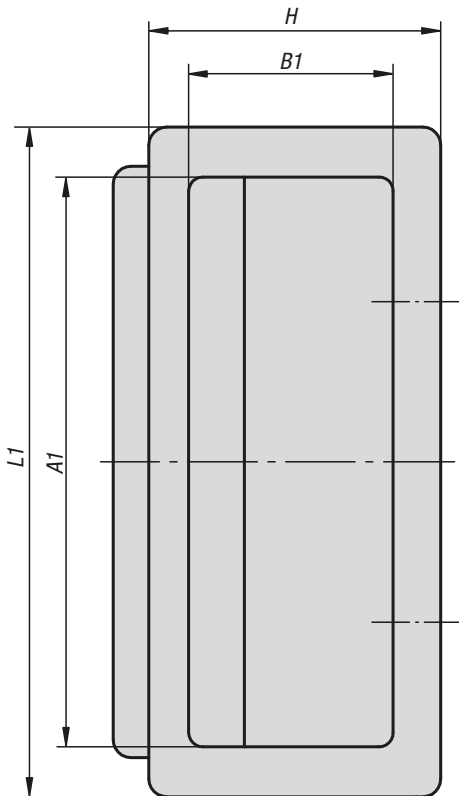
Version:
black.

Sample order:
K1306.09441

Note:
Recessed grips for clipping into material with a thickness 0.75 to 3.5 mm.

See drawing for installation cut-out dimensions for the various material thicknesses.

	T1	X	L
T1 = 0,75 - 2,2	0,75 - 0,79	34,8 +0,2	85,0 +0,2
	0,8 - 1,4	35,0 +0,2	85,0 +0,2
	1,5 - 2,2	36,0 +0,2	85,0 +0,2
T1 = 1,5 - 3,5	1,5 - 2,0	49,6 +0,2	100 -0,5
	2,0 - 3,2	50,3 +0,3	100 -0,5
	3,2 - 3,5	51,0 +0,3	100 -0,5



KIPP Recessed grip, clip-in

Order No.	A	A1	B1	H	H1	L1	S	T
K1306.09441	5	80	28,7	41	13,5	94	1,5	17
K1306.11057	10	94	40,3	57	18,65	110	2	26