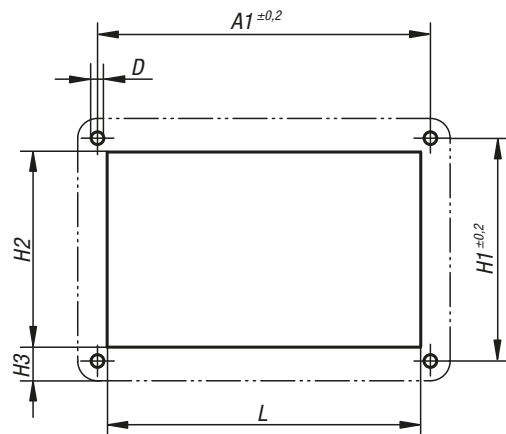
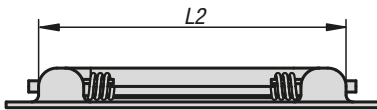
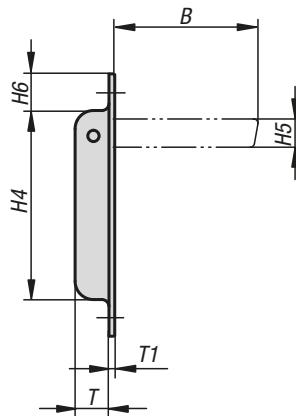
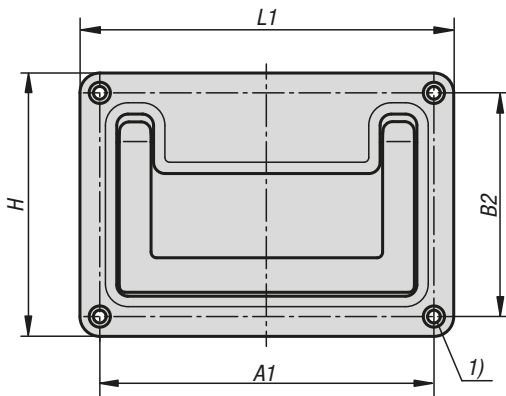


Recessed handles

fold-down stainless steel



Material:

Stainless steel 1.4301.

Version:

High-gloss electropolished.

Sample order:

K1305.132

Note:

Stainless steel retractable grips with marginal installation depth. For base and mounting plates or drawers. With return spring. The grip automatically swivels back into its resting position after use.

Drawing reference:

1) for countersunk screws M4

KIPP Recessed handles fold-down stainless steel

Order No.	A1	B	B2	D	H	H1	H2	H3	H4	H5	H6	L	L1	L2	T	T1
K1305.132	118±0,2	51	79	4,5	93	79±0,2	72	10,5	67	10	13	115	132	109	12	1,5