

## In-line hinge stainless steel

lift-off, screw-on



**Material:**

Stainless steel 1.4401.

**Version:**

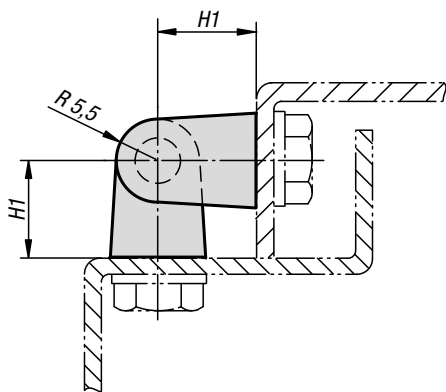
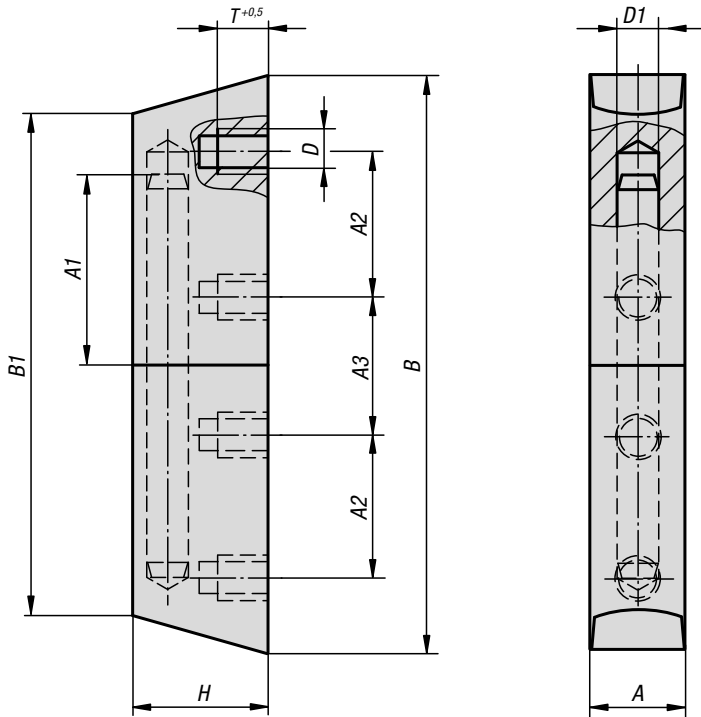
Satin finished.

**Sample order:**

K1304.1761218

**Note:**

Lift-off inline hinge, right or left mounting.  
The sloping hinge ends prevent the accumulation of dirt.



**KIPP In-line hinge, stainless steel, lift-off, screw-on**

Order No.	A	A1	A2	A3	B	B1	D	D1	T	H	H1
K1304.1761218	12,5	23	19	18	76	66	M6	6	6	18,5	13