

Indexing plungers

with rotation lock and lead-in chamfer



Material:

Steel version:

indexing pin hardened: grade 5.8

Stainless steel version:

indexing pin hardened: threaded sleeve 1.4305,

indexing pin 1.4305.

Mushroom knob black grey thermoplastic.

Version:

Steel version:

indexing pin hardened, ground and black oxidised.

Stainless steel version:

indexing pin hardened, ground and bright.

Sample order:

K1300.12060

Note:

Indexing plungers are used where any change in locking position due to lateral forces should be prevented. The rotation lock ensures that the position of the pin in relation to the sleeve cannot be changed. The point angle enables the pin to retract automatically through a lateral force from one side. Loosening the screw as far as the marking on the plunger enables the point angle to be rotated in 60° increments.

Assembly:

The screw can be loosened using a hex. key.

On request:

Special versions.

Accessories:

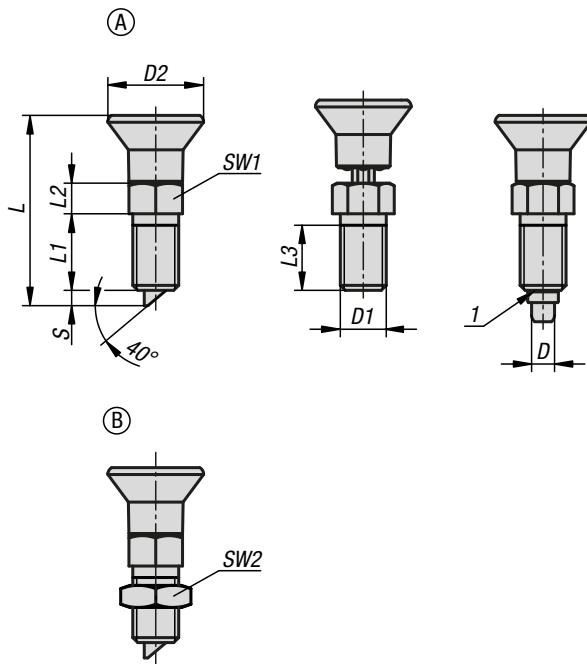
Spacer rings K0665

Drawing reference:

Form A: without locknut

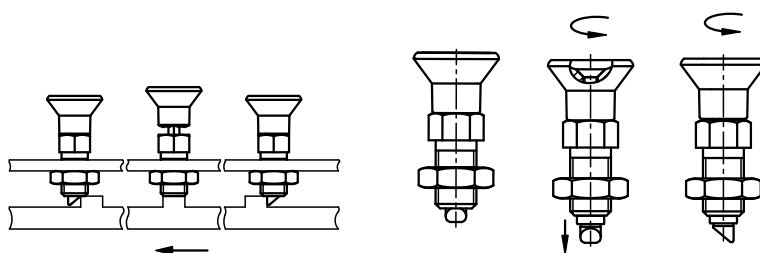
Form B: with locknut

1) marking ring



Indexing plungers

with rotation lock and lead-in chamfer



KIPP Indexing plunger with rotation lock and lead-in chamfer, steel, indexing pin hardened

Order No. Form A	Order No. Form B	D	D1	D2	L	L1	L2	L3	Travel S	SW1	SW2	Spring force initial pressure F1 approx. N	Spring force final pressure F2 approx. N
K1300.12061	K1300.22061	6	M12x1,5	25	49,7	20	8	17	4	14	-/19	8	14
K1300.12060	K1300.22060	6	M12	25	49,7	20	8	17	4	14	-/19	8	14
K1300.13081	K1300.23081	8	M16x1,5	33	66	26	10	23	6	19	-/24	20	35
K1300.13080	K1300.23080	8	M16	33	66	26	10	23	6	19	-/24	20	35

KIPP Indexing plunger with rotation lock and lead-in chamfer, stainless steel, indexing pin hardened

Order No. Form A	Order No. Form B	D	D1	D2	L	L1	L2	L3	Travel S	SW1	SW2	Spring force initial pressure F1 approx. N	Spring force final pressure F2 approx. N
K1300.012061	K1300.022061	6	M12x1,5	25	49,7	20	8	17	4	14	-/19	8	14
K1300.012060	K1300.022060	6	M12	25	49,7	20	8	17	4	14	-/19	8	14
K1300.013081	K1300.023081	8	M16x1,5	33	66	26	10	23	6	19	-/24	20	35
K1300.013080	K1300.023080	8	M16	33	66	26	10	23	6	19	-/24	20	35