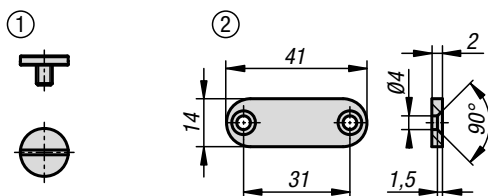
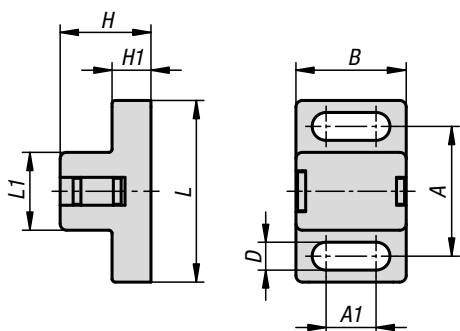
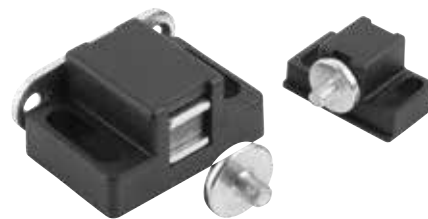


Magnetic catches



Material:

Polyamide fibreglass reinforced
DIN 921 pan head screw, steel.
Retaining plate, steel.

Version:

Black.
Pan head screw and retaining plate electro zinc-plated.

Sample order:

K1295.17281

Note:

Magnetic catch for swing and sliding doors. The elongated holes enable flexible positioning on aluminium profiles and panel elements.

Drawing reference:

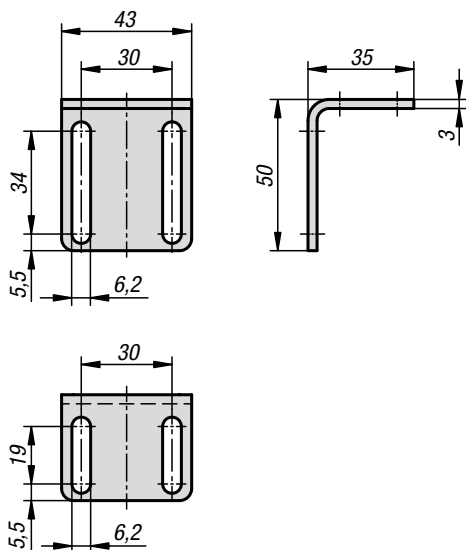
- 1) Pan head screw
- 2) Retaining plate



KIPP Magnetic catches

Order No.	A	A1	B	D	H	H1	L	L1	Retaining force F1 N	Retaining force F2 N	Counterpart
K1295.17281	20	7,7	17	4,3	14	6	28	12	5	3	M4x5 pan head screw
K1295.28401	30	13,5	28	6,3	20	10	40	19	20	10	M5x6 pan head screw
K1295.28402	30	13,5	28	6,3	20	10	40	19	20	10	M5x6 pan head screw and 14x41x2 retaining plate

Angle bracket for magnetic lock



Material:
Steel.

Version:
Electro zinc-plated.

Sample order:
K1295.9503543

Note:
These angle brackets enable the magnetic catch to be flexibly positioned.

KIPP Angle bracket for magnetic lock

Order No.	Dimensions
K1295.9503543	see drawing