

Ball catch

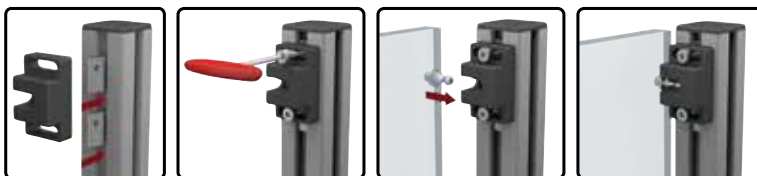
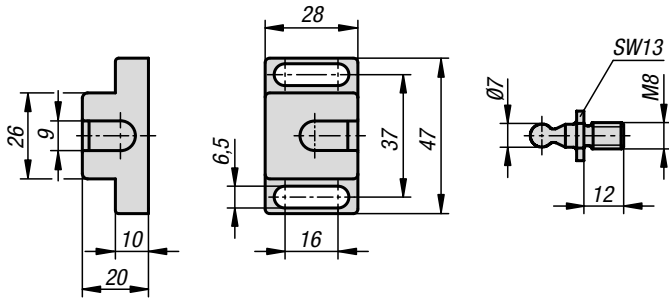


Material:
Fibreglass reinforced polyamide.
Ball pins, steel or stainless steel 1.4301.

Version:
black.

Sample order:
K1294.400

Note:
Quick lock for swing and sliding doors. The elongated holes enable flexible positioning on aluminium profiles and panel elements.

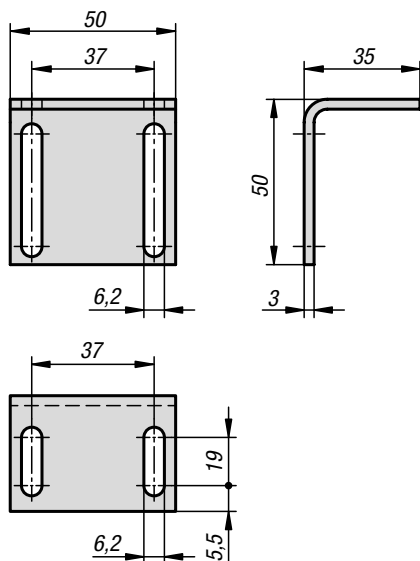


KIPP Ball catch

Order No.	Component material	Retaining force F1 N
K1294.400	steel	40
K1294.500	stainless steel	40
K1294.401	steel	50
K1294.501	stainless steel	50

Angle brackets

for ball catch



Material:
Steel.

Version:
Electro zinc-plated.

Sample order:
K1294.9503550

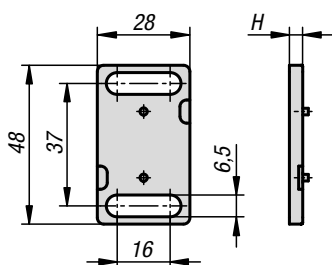
Note:
These angle brackets enable the ball catch to be flexibly positioned.

KIPP Angle brackets for ball catch

Order No.	Dimensions
K1294.9503550	see drawing

Riser plates

for ball catch



Material:
Polyamide fibreglass reinforced.

Version:
black.

Sample order:
K1294.94

Note:
These riser plates enable the height of the ball catch to be increased.

KIPP Riser plates for ball catch

Order No.	H
K1294.94	4

