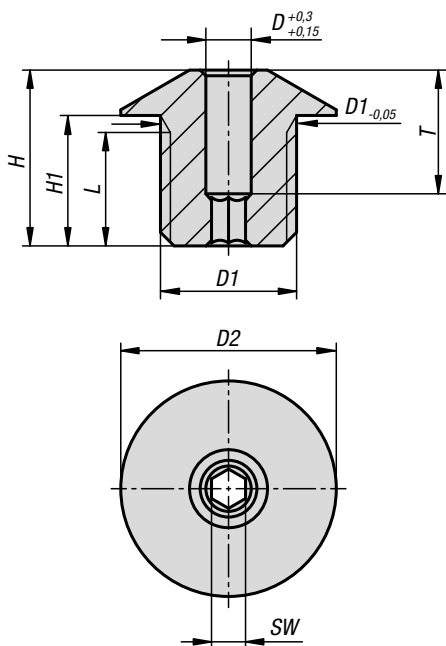


## Positioning bushes

for indexing plungers



**Material:**

Steel or 1.4034 stainless steel.

**Version:**

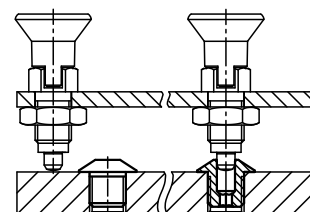
Steel hardened and black oxidised.  
Stainless steel, hardened, bright.

**Sample order:**

K1290.04

**Note:**

Positioning bushes suitable for indexing plunger.  
Matched with mounting brackets K0638.



### KIPP Positioning bushes for indexing plungers

| Order No. | Main material   | D  | D1      | D2 | H    | H1   | L  | SW | T  |
|-----------|-----------------|----|---------|----|------|------|----|----|----|
| K1290.04  | steel           | 4  | M12x1,5 | 19 | 15,5 | 11,5 | 10 | 3  | 11 |
| K1290.05  | steel           | 5  | M12x1,5 | 19 | 15,5 | 11,5 | 10 | 4  | 10 |
| K1290.06  | steel           | 6  | M12x1,5 | 19 | 15,5 | 11,5 | 10 | 4  | 10 |
| K1290.08  | steel           | 8  | M16x1,5 | 26 | 19,5 | 14,5 | 13 | 6  | 12 |
| K1290.10  | steel           | 10 | M16x1,5 | 26 | 19,5 | 14,5 | 13 | 6  | 12 |
| K1290.104 | stainless steel | 4  | M12x1,5 | 19 | 15,5 | 11,5 | 10 | 3  | 11 |
| K1290.105 | stainless steel | 5  | M12x1,5 | 19 | 15,5 | 11,5 | 10 | 4  | 10 |
| K1290.106 | stainless steel | 6  | M12x1,5 | 19 | 15,5 | 11,5 | 10 | 4  | 10 |
| K1290.108 | stainless steel | 8  | M16x1,5 | 26 | 19,5 | 14,5 | 13 | 6  | 12 |
| K1290.110 | stainless steel | 10 | M16x1,5 | 26 | 19,5 | 14,5 | 13 | 6  | 12 |