

## Cam-action indexing plungers

with stop, stainless steel



**Material:**

Stainless steel 1.4305.

**Version:**

Bright.

Indexing pin ground, not hardened.

**Sample order:**

K1285.1040616

**Note:**

Cam-action indexing plungers are used when the indexing pin should not project all the time. Turning the handle through 180° retracts the pin.

A notch ensures that the handle remains in this position.

A stop prevents the handle being rotated through more than 180° ensuring that the pin remains retracted.

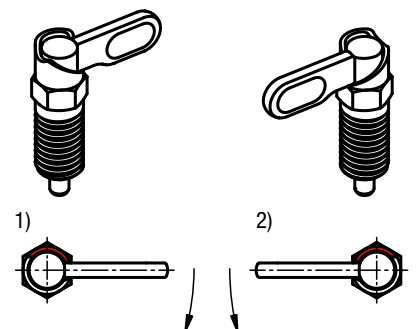
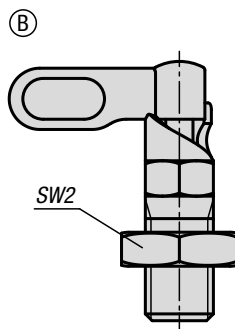
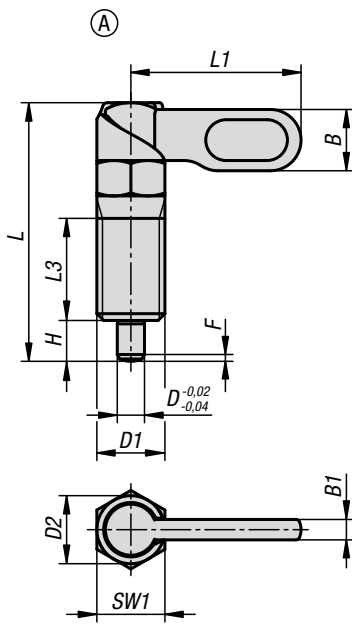
Selecting which side the stop is on defines the rotation direction of the plunger.

**Drawing reference:**

Form A: grip uncoated without nut

Form B: grip uncoated with nut

- 1) stop left
- 2) stop right



# Cam-action indexing plungers

with stop, stainless steel



## KIPP Cam action indexing plunger, stainless steel, with stop

Order No. Form A	Order No. Form B	Version 2	D	D1	D2	L	L1	L3	B	B1	H	SW1	SW2	Fx30°	Spring force initial pressure F1 approx. N	Spring force final pressure F2 approx. N
K1285.1040410	K1285.1050410	left	4	M10	10	38	25	15	9	3	6	10	-17	1	8	14
K1285.1040510	K1285.1050510	left	5	M10	10	38	25	15	9	3	6	10	-17	1,3	8	14
K1285.1040610	K1285.1050610	left	6	M10	10	38	25	15	9	3	6	10	-17	1,8	8	14
K1285.1040512	K1285.1050512	left	5	M12	12	47,8	30	19	10,8	3,6	8	12	-19	1,3	8	15
K1285.1040612	K1285.1050612	left	6	M12	12	47,8	30	19	10,8	3,6	8	12	-19	1,8	8	15
K1285.1040812	K1285.1050812	left	8	M12	12	47,8	30	19	10,8	3,6	8	12	-19	2,3	8	15
K1285.1040616	K1285.1050616	left	6	M16	16	60,4	40	26	14,4	4,8	10	16	-24	1,8	15	35
K1285.1040816	K1285.1050816	left	8	M16	16	60,4	40	26	14,4	4,8	10	16	-24	2,3	15	35
K1285.1041016	K1285.1051016	left	10	M16	16	60,4	40	26	14,4	4,8	10	16	-24	2,8	15	35
K1285.10408201	K1285.10508201	left	8	M20x1,5	20	70	50	30	18	6	12	20	-30	2,3	20	60
K1285.10410201	K1285.10510201	left	10	M20x1,5	20	70	50	30	18	6	12	20	-30	2,8	20	60
K1285.10412201	K1285.10512201	left	12	M20x1,5	20	70	50	30	18	6	12	20	-30	3	20	60
K1285.2040410	K1285.2050410	right	4	M10	10	38	25	15	9	3	6	10	-17	1	8	14
K1285.2040510	K1285.2050510	right	5	M10	10	38	25	15	9	3	6	10	-17	1,3	8	14
K1285.2040610	K1285.2050610	right	6	M10	10	38	25	15	9	3	6	10	-17	1,8	8	14
K1285.2040512	K1285.2050512	right	5	M12	12	47,8	30	19	10,8	3,6	8	12	-19	1,3	8	15
K1285.2040612	K1285.2050612	right	6	M12	12	47,8	30	19	10,8	3,6	8	12	-19	1,8	8	15
K1285.2040812	K1285.2050812	right	8	M12	12	47,8	30	19	10,8	3,6	8	12	-19	2,3	8	15
K1285.2040616	K1285.2050616	right	6	M16	16	60,4	40	26	14,4	4,8	10	16	-24	1,8	15	35
K1285.2040816	K1285.2050816	right	8	M16	16	60,4	40	26	14,4	4,8	10	16	-24	2,3	15	35
K1285.2041016	K1285.2051016	right	10	M16	16	60,4	40	26	14,4	4,8	10	16	-24	2,8	15	35
K1285.20408201	K1285.20508201	right	8	M20x1,5	20	70	50	30	18	6	12	20	-30	2,3	20	60
K1285.20410201	K1285.20510201	right	10	M20x1,5	20	70	50	30	18	6	12	20	-30	2,8	20	60
K1285.20412201	K1285.20512201	right	12	M20x1,5	20	70	50	30	18	6	12	20	-30	3	20	60