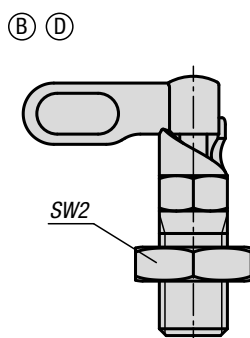
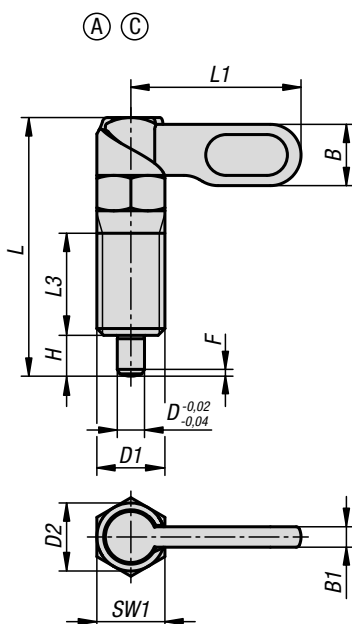


Cam-action indexing plungers

with stop



Drawing reference:

- Form A: grip uncoated without nut
- Form C: grip powder-coated without nut
- Form B: grip uncoated with nut
- Form D: grip powder-coated with nut

Material:

Steel grade 5.8.

Version:

Black oxidised.
Pin hardened and ground.

Sample order:

K1284.1040616

Note:

Cam-action indexing plungers are used when the indexing pin should not project all the time. Turning the handle through 180° retracts the pin. A notch ensures that the handle remains in this position.

A stop prevents the handle being rotated through more than 180° ensuring that the pin remains retracted. Selecting which side the stop is on defines the rotation direction of the plunger.

KIPP Cam action indexing plunger with stop

Order No. Form A	Order No. Form C	Version 2	D	D1	D2	L	L1	L3	B	B1	H	SW1	Fx30°	Spring force initial pressure F1 approx. N	Spring force final pressure F2 approx. N
K1284.1040410	K1284.1060410	left	4	M10	10	38	25	15	9	3	6	10	1	8	14
K1284.1040510	K1284.1060510	left	5	M10	10	38	25	15	9	3	6	10	1,3	8	14
K1284.1040610	K1284.1060610	left	6	M10	10	38	25	15	9	3	6	10	1,8	8	14
K1284.1040512	K1284.1060512	left	5	M12	12	47,8	30	19	10,8	3,6	8	12	1,3	8	15
K1284.1040612	K1284.1060612	left	6	M12	12	47,8	30	19	10,8	3,6	8	12	1,8	8	15
K1284.1040812	K1284.1060812	left	8	M12	12	47,8	30	19	10,8	3,6	8	12	2,3	8	15
K1284.1040616	K1284.1060616	left	6	M16	16	60,4	40	26	14,4	4,8	10	16	1,8	15	35
K1284.1040816	K1284.1060816	left	8	M16	16	60,4	40	26	14,4	4,8	10	16	2,3	15	35
K1284.1041016	K1284.1061016	left	10	M16	16	60,4	40	26	14,4	4,8	10	16	2,8	15	35
K1284.10408201	K1284.10608201	left	8	M20x1,5	20	70	50	30	18	6	12	20	2,3	20	60
K1284.10410201	K1284.10610201	left	10	M20x1,5	20	70	50	30	18	6	12	20	2,8	20	60
K1284.10412201	K1284.10612201	left	12	M20x1,5	20	70	50	30	18	6	12	20	3	20	60
K1284.2040410	K1284.2060410	right	4	M10	10	38	25	15	9	3	6	10	1	8	14
K1284.2040510	K1284.2060510	right	5	M10	10	38	25	15	9	3	6	10	1,3	8	14
K1284.2040610	K1284.2060610	right	6	M10	10	38	25	15	9	3	6	10	1,8	8	14
K1284.2040512	K1284.2060512	right	5	M12	12	47,8	30	19	10,8	3,6	8	12	1,3	8	15
K1284.2040612	K1284.2060612	right	6	M12	12	47,8	30	19	10,8	3,6	8	12	1,8	8	15
K1284.2040812	K1284.2060812	right	8	M12	12	47,8	30	19	10,8	3,6	8	12	2,3	8	15
K1284.2040616	K1284.2060616	right	6	M16	16	60,4	40	26	14,4	4,8	10	16	1,8	15	35
K1284.2040816	K1284.2060816	right	8	M16	16	60,4	40	26	14,4	4,8	10	16	2,3	15	35
K1284.2041016	K1284.2061016	right	10	M16	16	60,4	40	26	14,4	4,8	10	16	2,8	15	35
K1284.20408201	K1284.20608201	right	8	M20x1,5	20	70	50	30	18	6	12	20	2,3	20	60
K1284.20410201	K1284.20610201	right	10	M20x1,5	20	70	50	30	18	6	12	20	2,8	20	60
K1284.20412201	K1284.20612201	right	12	M20x1,5	20	70	50	30	18	6	12	20	3	20	60

